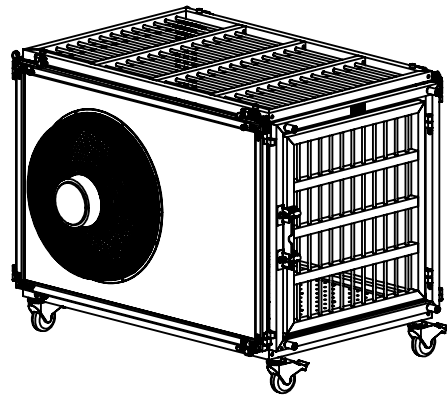
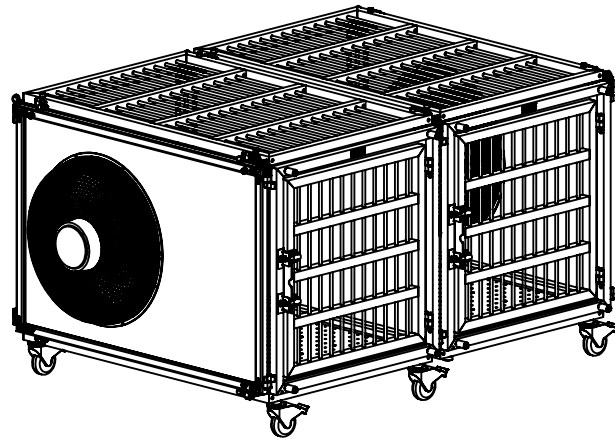


**Heavy Duty, Attractive,
Commercial Grade Grooming
Dryers**

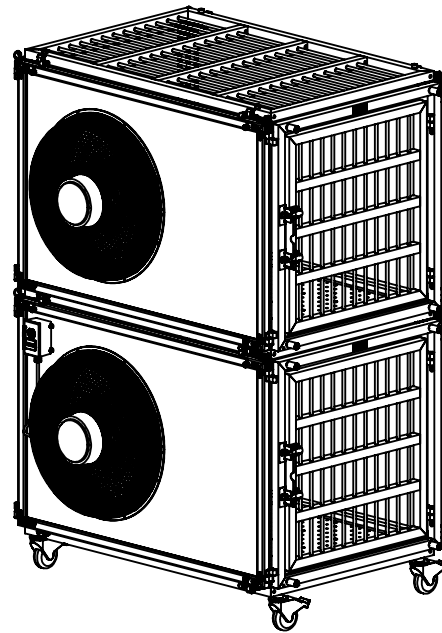
-12 **Single 32**



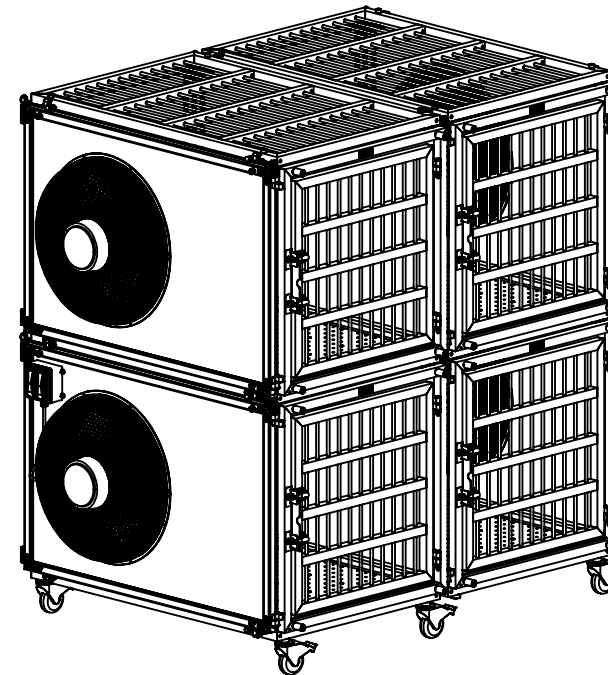
-14 **Duplex 32-32**



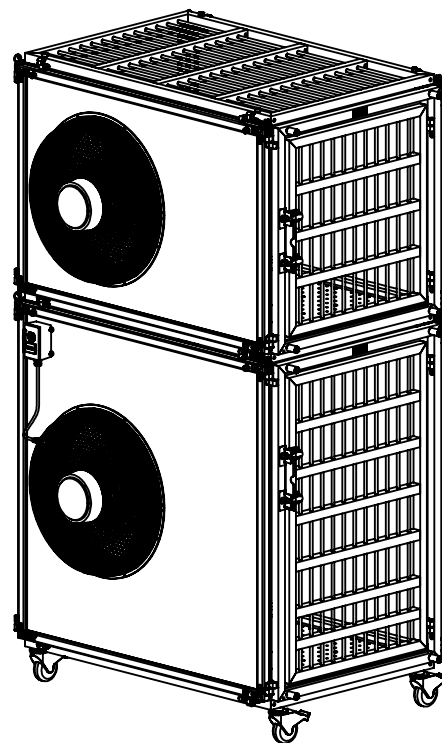
-00 **Duplex 32/32**



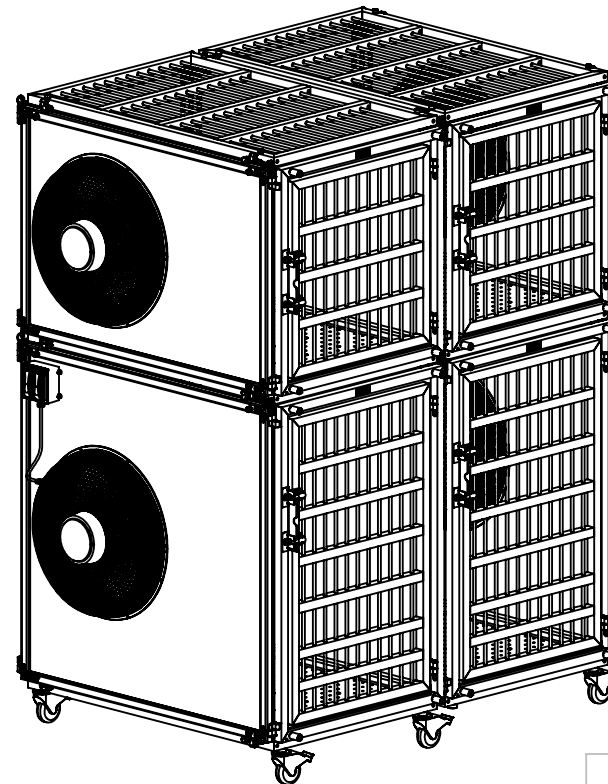
-01 **Quad 32/32**



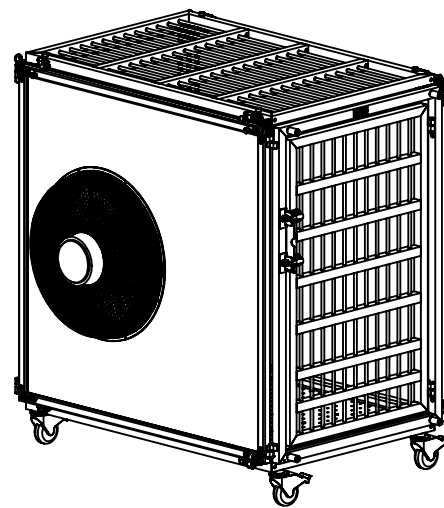
-02 **Duplex 32/46**



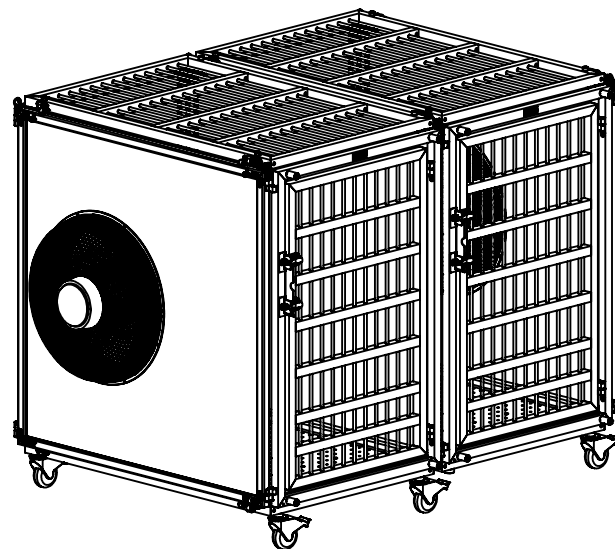
-03 **Quad 32/46**



-13 **Single 46**



-15 **Duplex 46-46**



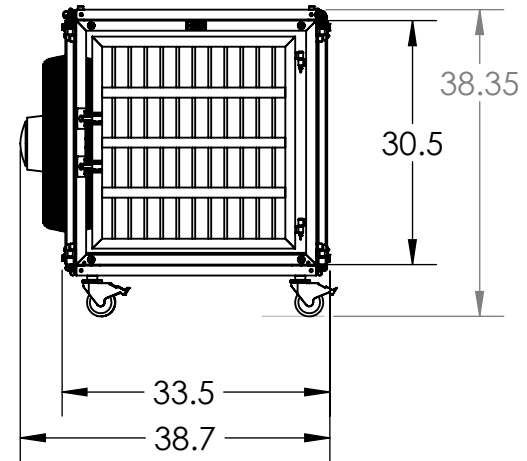
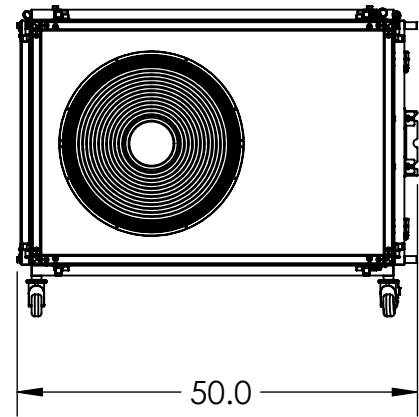
1. Dryer comes in two sizes:
 - "32" - (32.0"H x 32.75"W x 48"D) which is spacious and comfortable for large and small dogs alike
 - "46" - (46.5"H x 32.75"W x 48"D), for those taller dogs who need more leg room
2. Tough enough to use everyday
3. 20" - 3670 CFM commercial grade fans move the highest volume of air in its class for fast drying.
4. Three speeds of air flow 3670/3300/2940 CFM, a choice for every situation
5. Room Temperature Air - no overheating your dogs.
6. Low amperage draw. Each fan draws only 1.6A on its highest setting. (1.3A on medium and 1.1 on low.)
7. Premium anodized aluminum framework for beautiful and durable finish
8. Ability to mount the drying fans on the sides or back of kennel, depending on salon's requirements. (factory option)
9. All Stainless Steel attachment hardware.
10. Tough 1/4" thick HDPE panels are available in 3 colors blue, tan and evergreen
11. Elevated drying trays included. Canines are not lying in a puddle of water.
12. Heavy gage (.25") ABS trays contain accidents and are removable for cleaning.
13. Expandable, buy one today and add a second next year.
14. Custom engraving option available for company logo, dog's name etc.
15. Padlock ready latch for added security
16. Optional bowls on inside of door
17. Optional baskets on outside of door
18. Made in the USA

LARSON SYSTEMS INC.

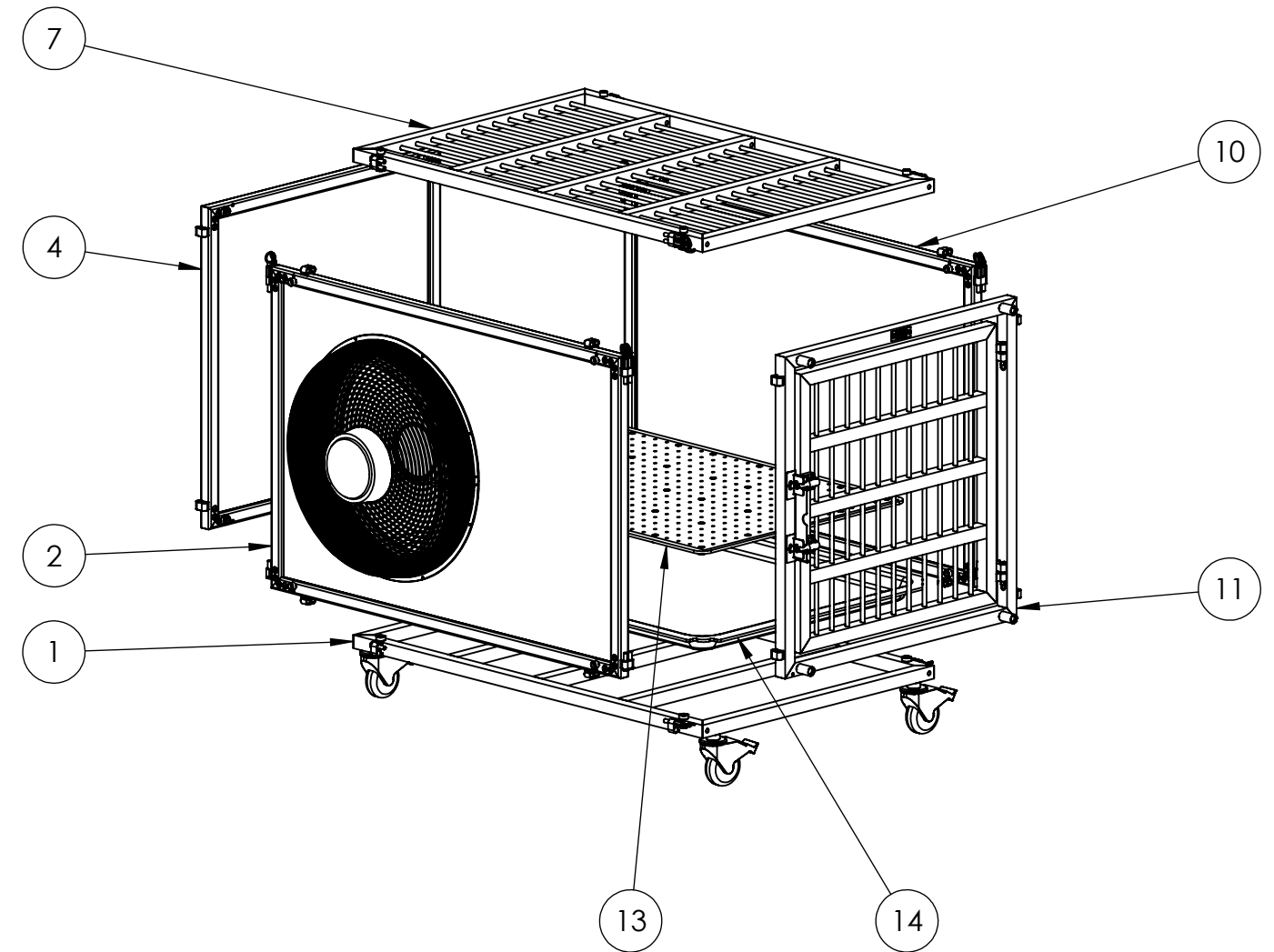
13847 Aberdeen St. NE PH. 763-780-2131
Ham Lake, MN 55304 FAX. 763-780-2182

APPROVALS	DATE	<i>Dog Grooming Dryer - Express Kennel Option</i>
DRAWN RRS	10/23/14	
APP.		REV:
APP.		B DWG. NO. 025-0000-0994-XXA
SCALE: NONE		SHEET 1 OF 11

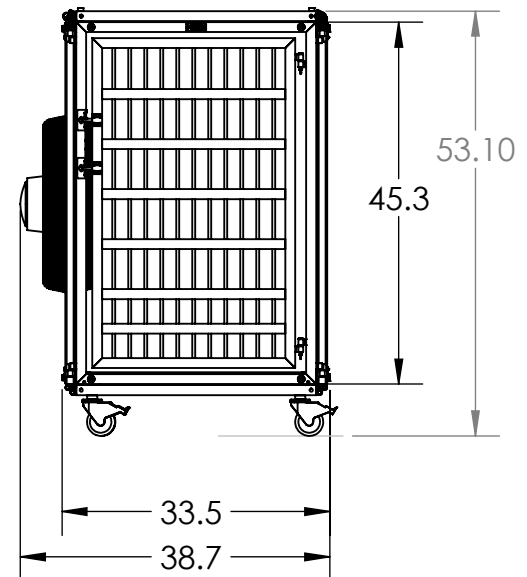
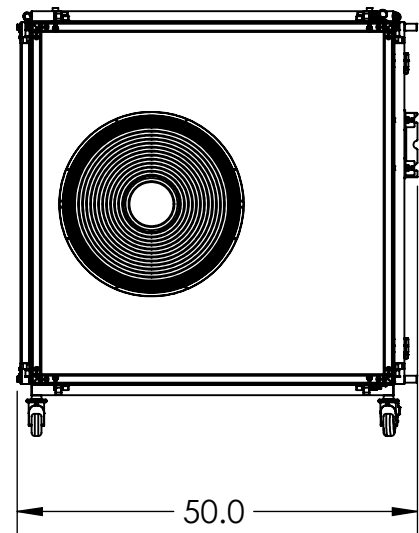
-12



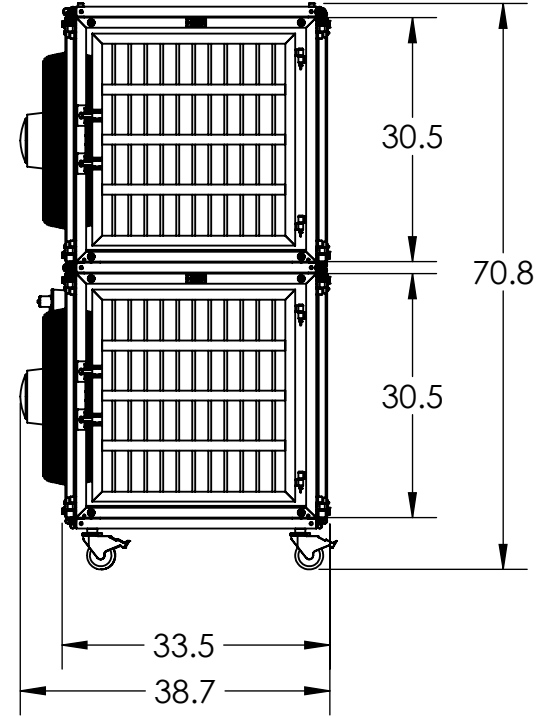
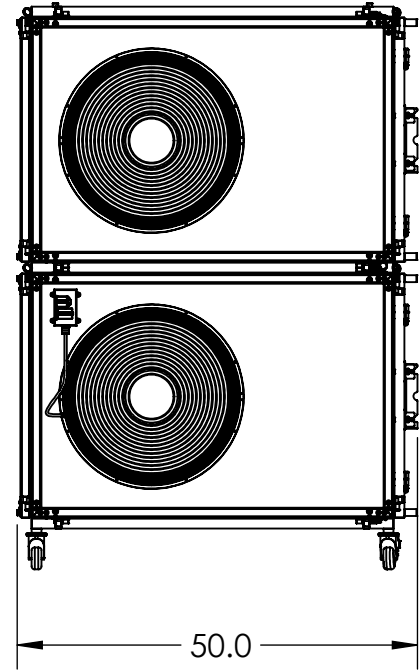
-12 (shown), -13



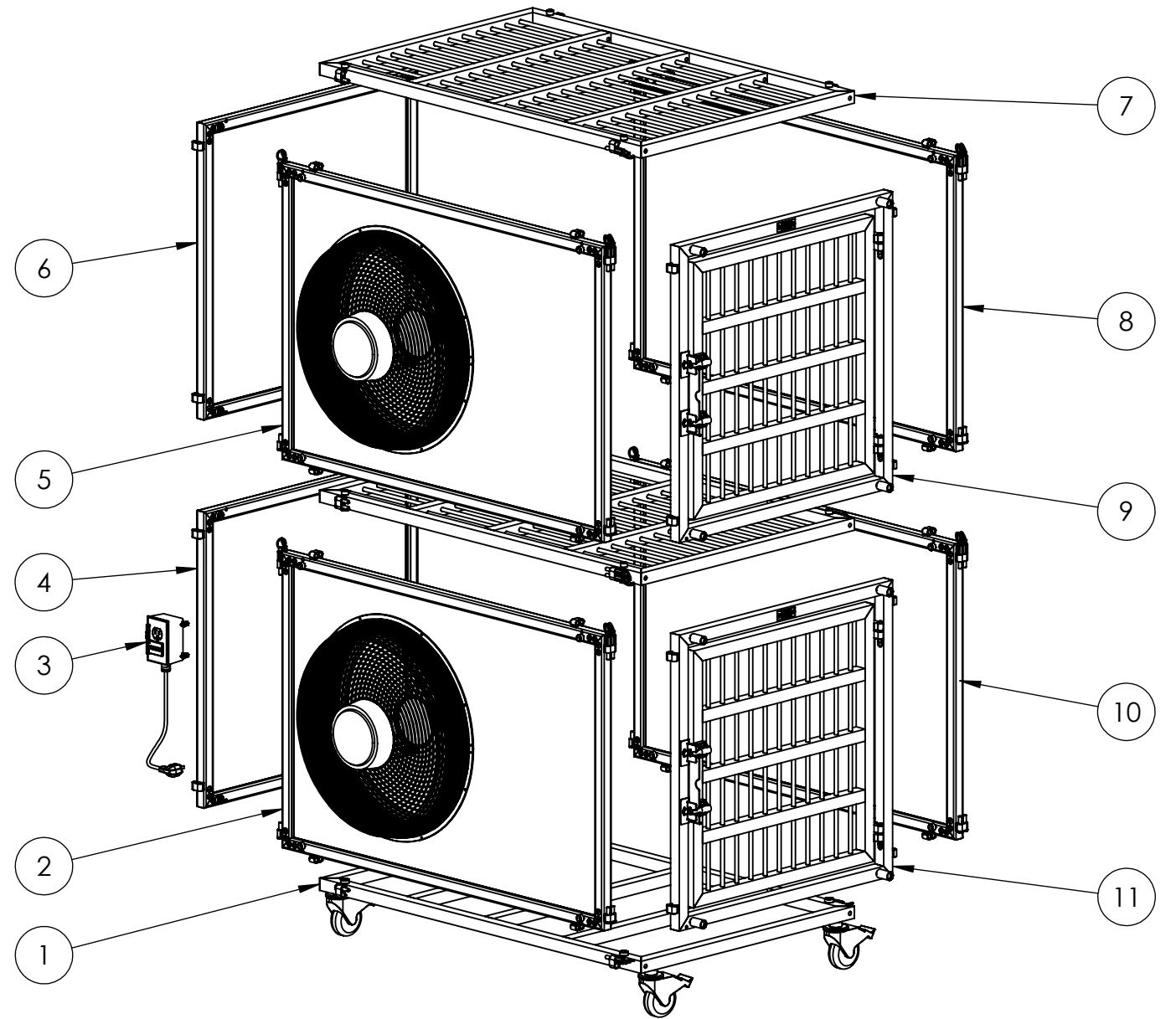
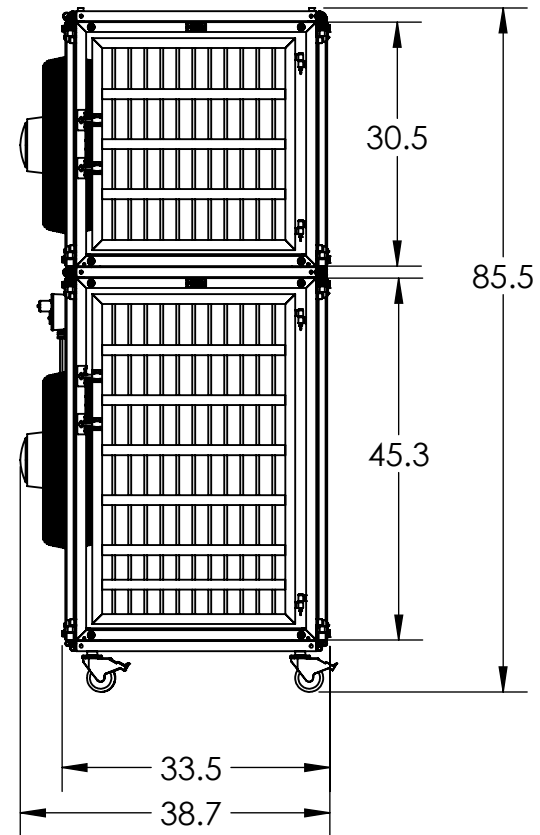
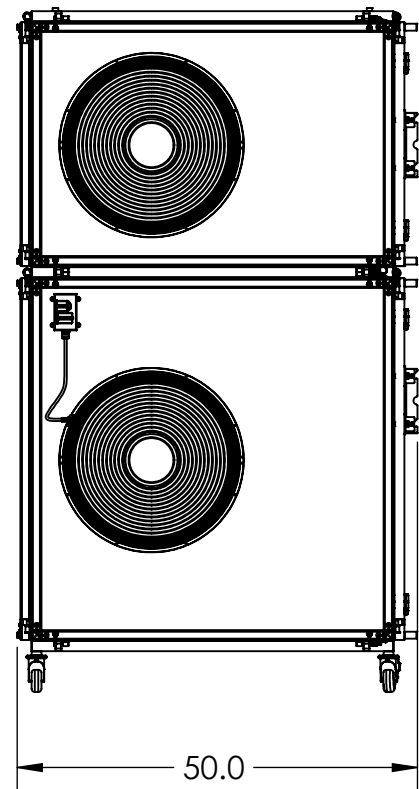
-13



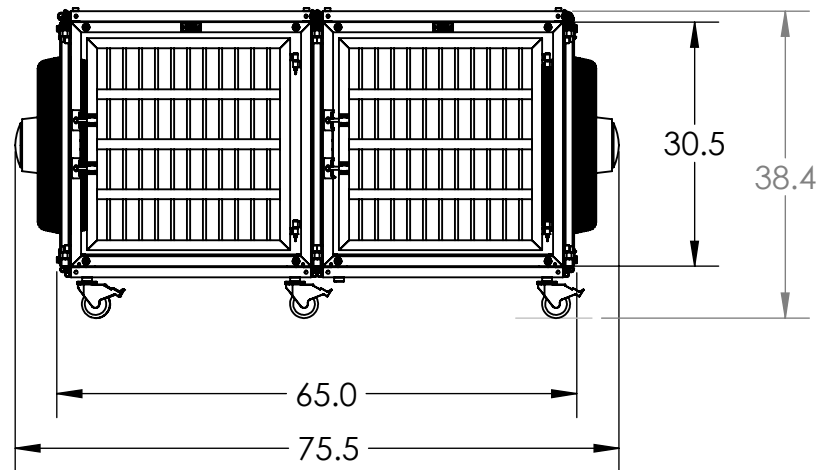
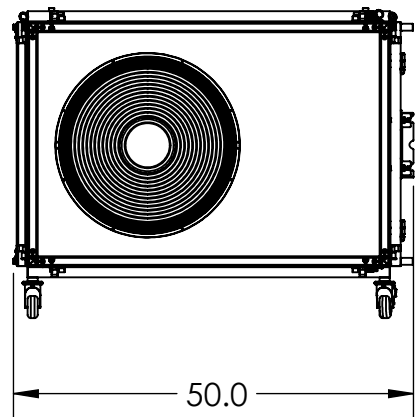
-00



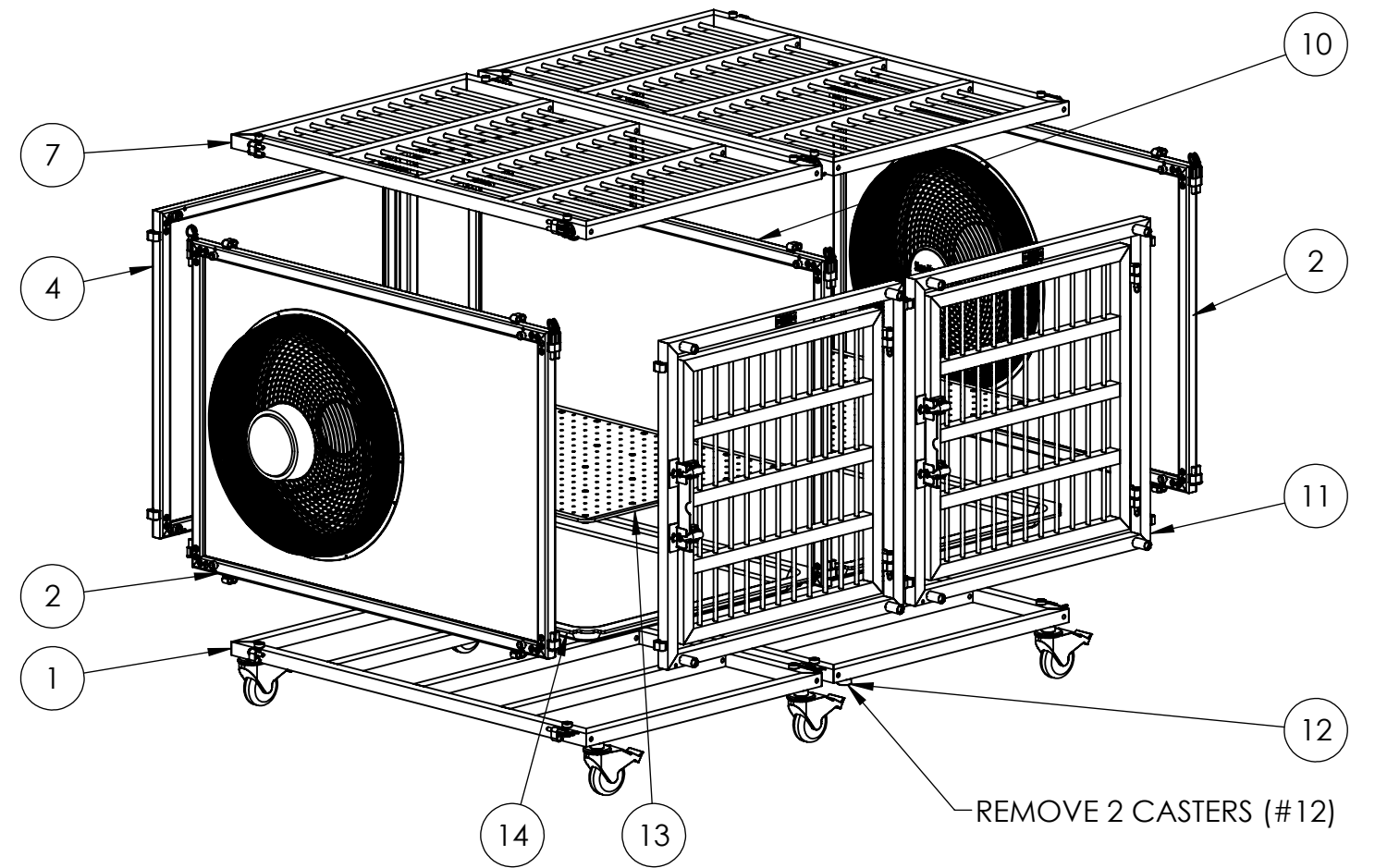
-02



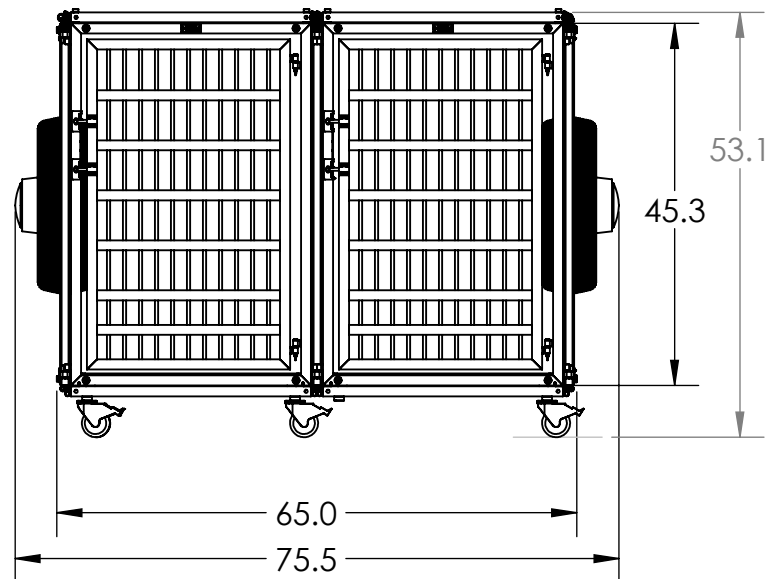
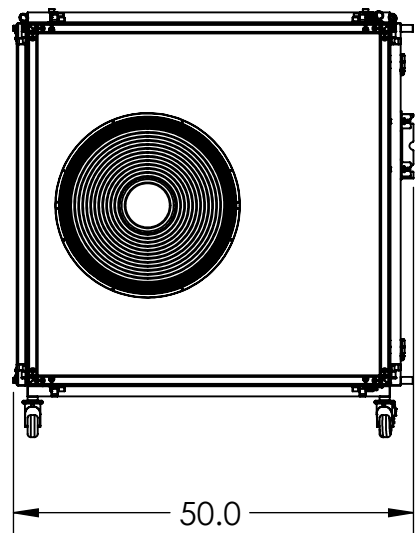
-14



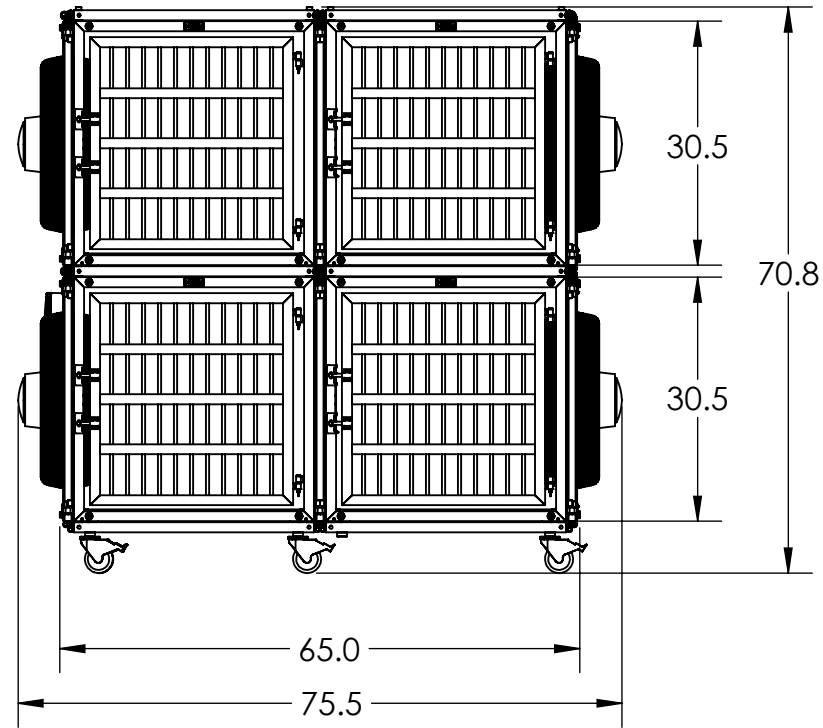
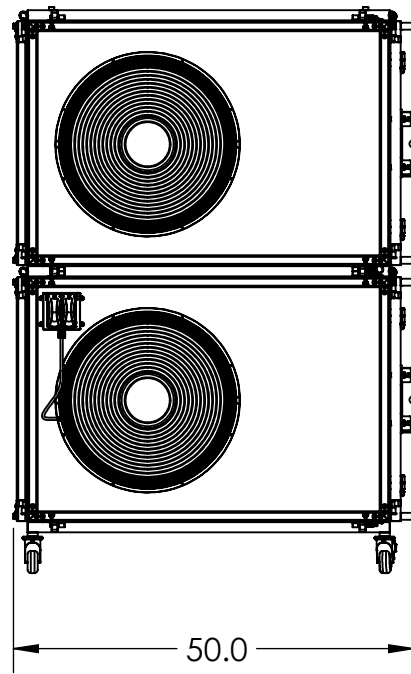
-14 (shown), -15



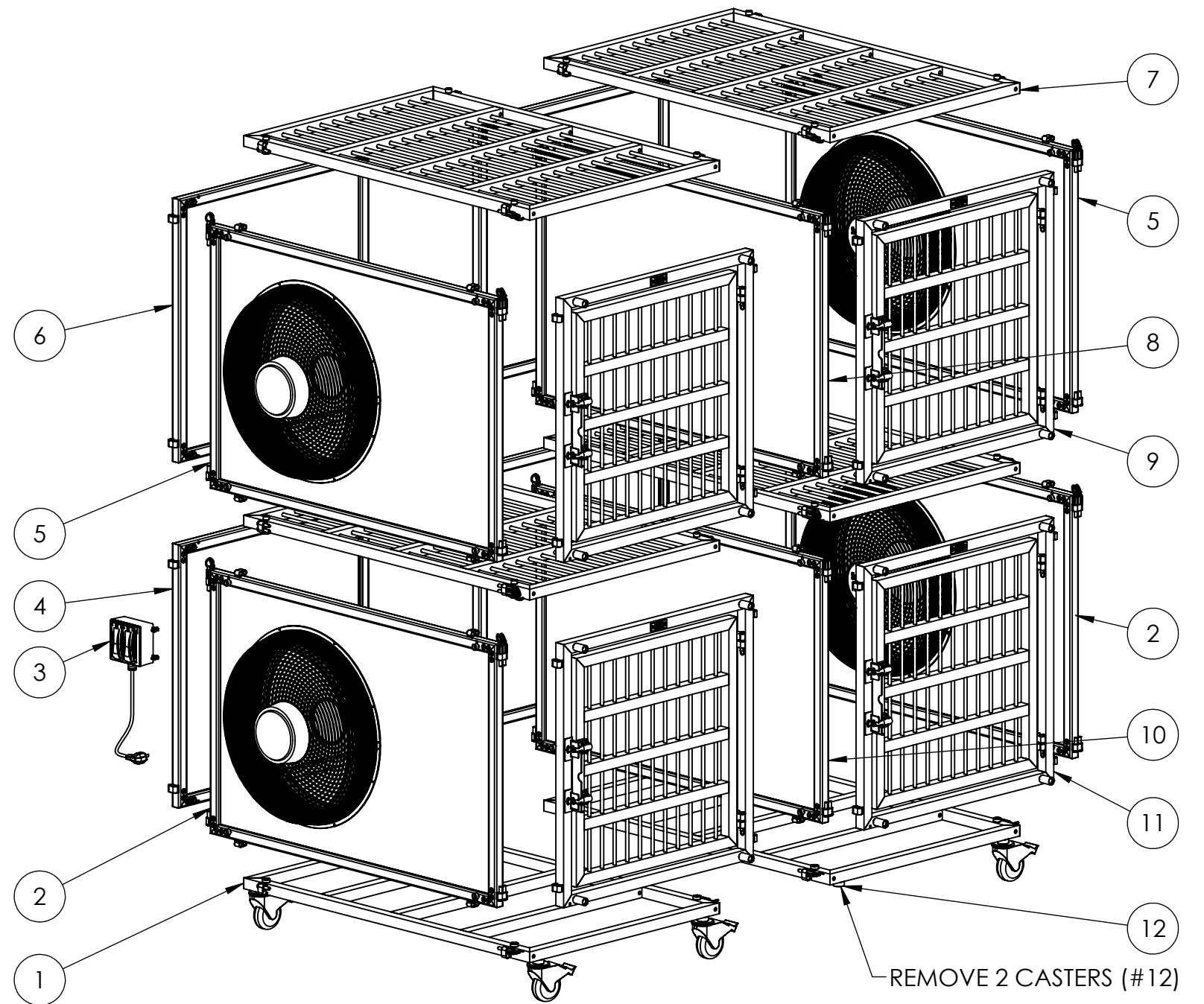
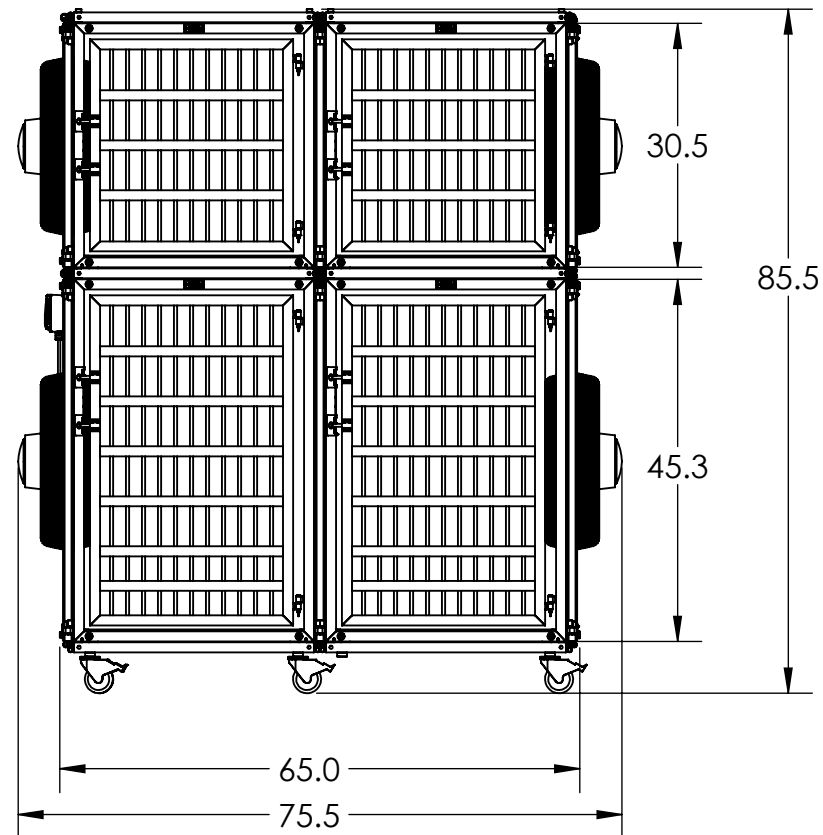
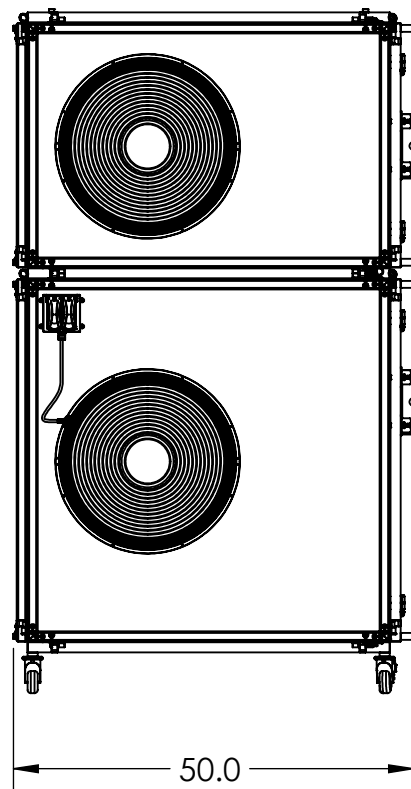
-15



-01



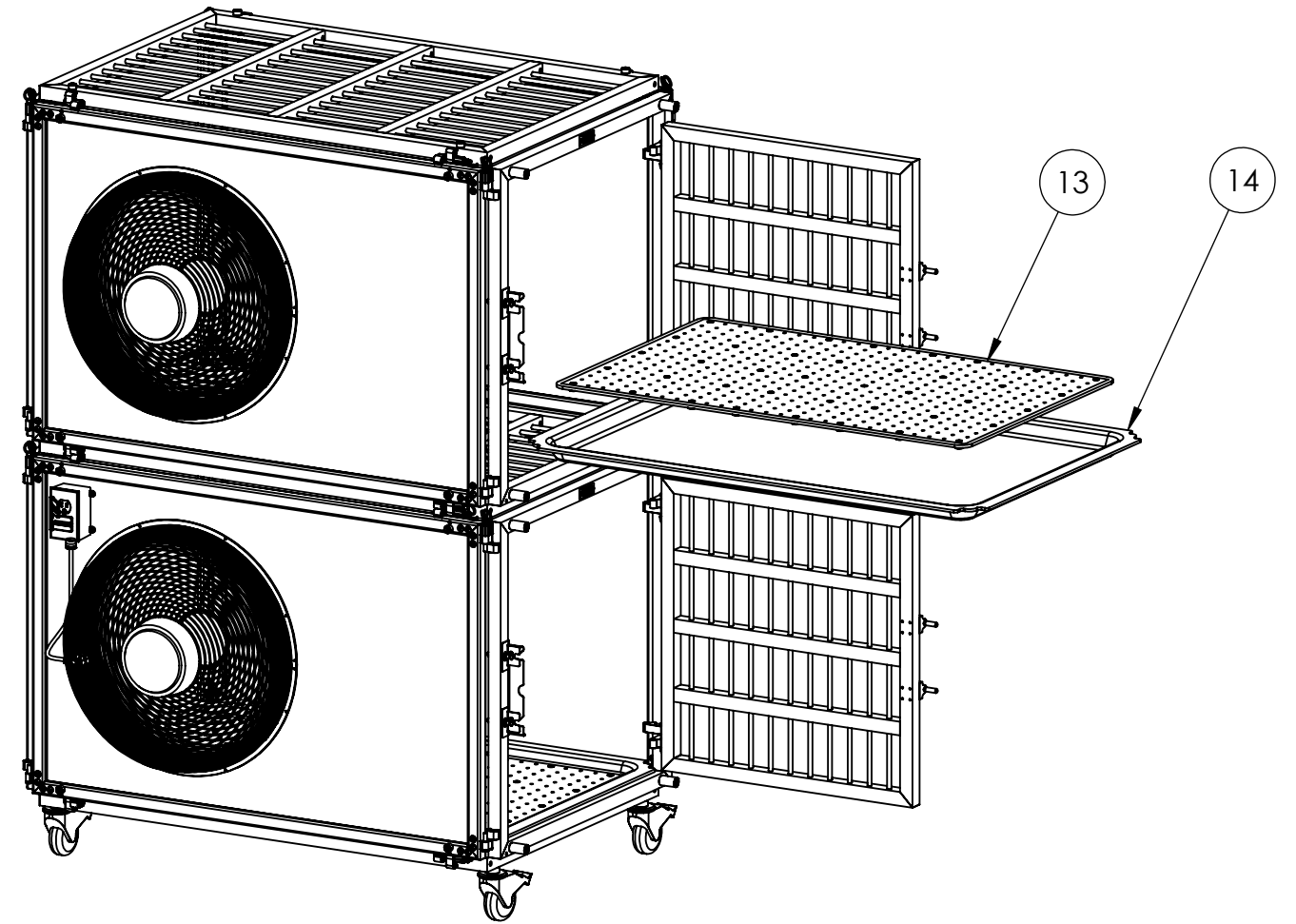
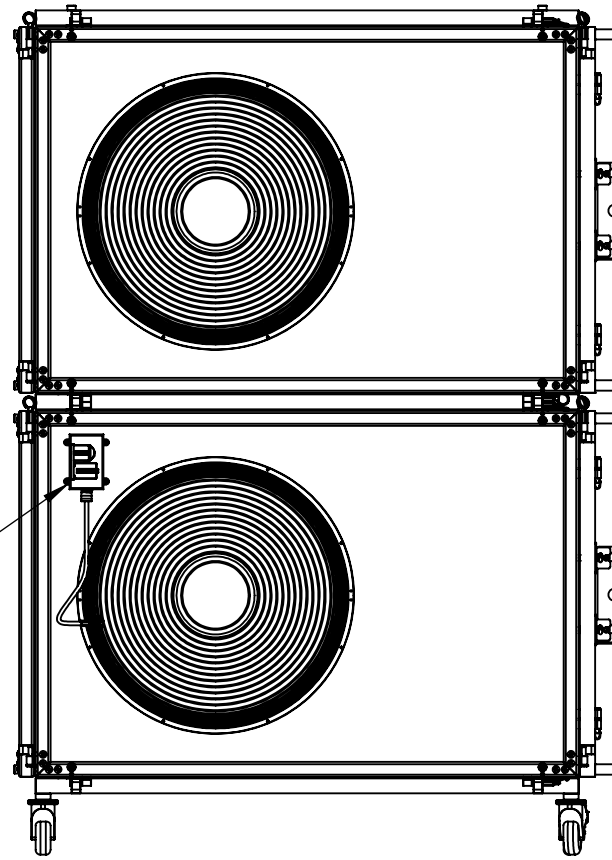
-03



LARSON SYSTEMS INC.

13847 Aberdeen St. NE PH. 763-780-2131
Ham Lake, MN 55304 FAX. 763-780-2182

Using #3 as a template:
Drill 4X Ø.221 THRU
mounting holes.



LARSON SYSTEMS INC.

13847 Aberdeen St. NE PH. 763-780-2131
Ham Lake, MN 55304 FAX. 763-780-2182

B

SCALE: NONE

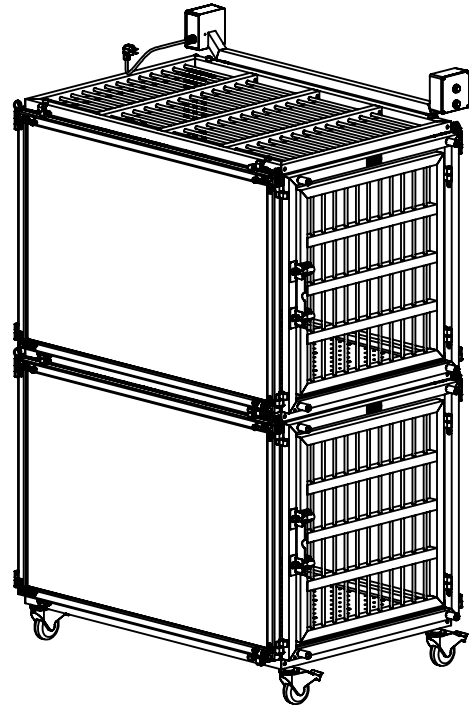
DWG. NO. 025-0000-0994-XXA

SHEET 6 OF 11

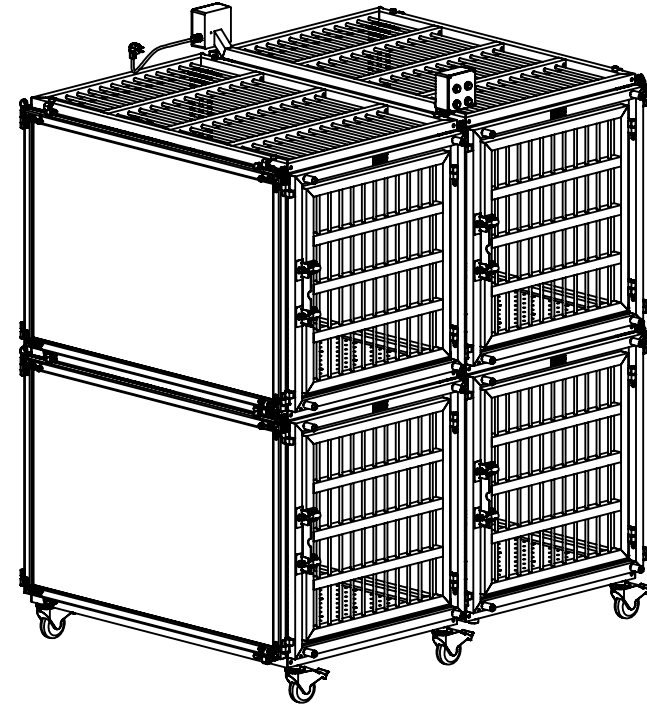
Rear Mounted Fans for Drying Banks

-05 Plus -08 Duplex Add 32/32R

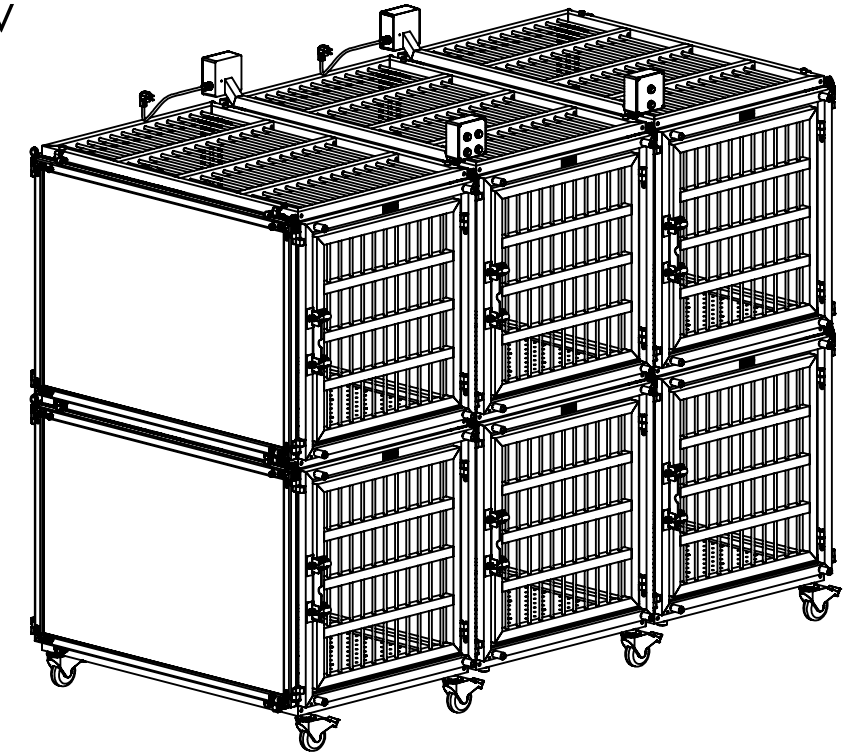
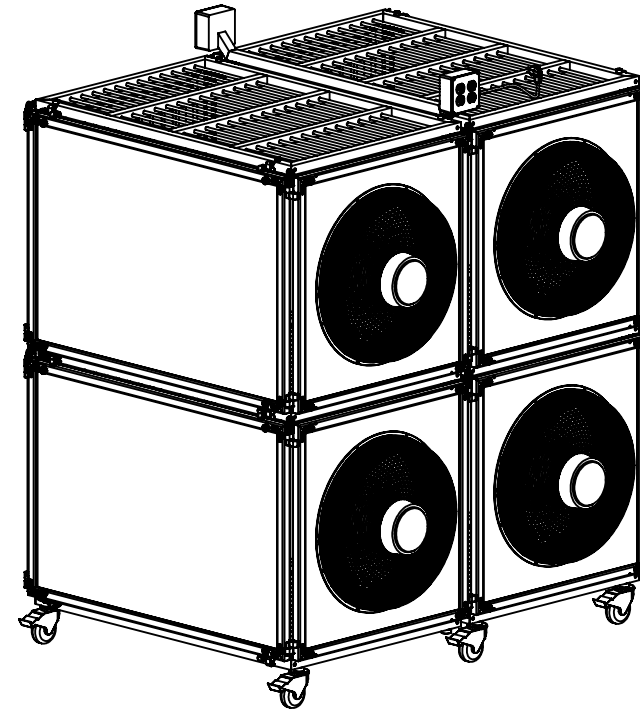
-04 Duplex 32/32R



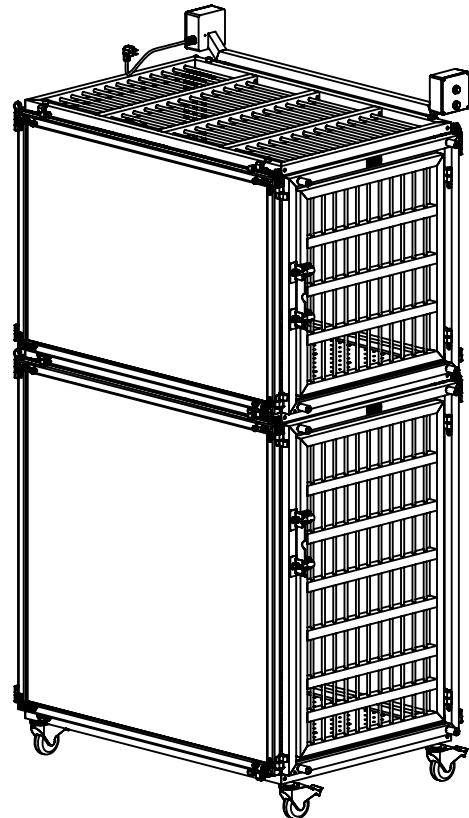
-05 Quad 32/32R Front View



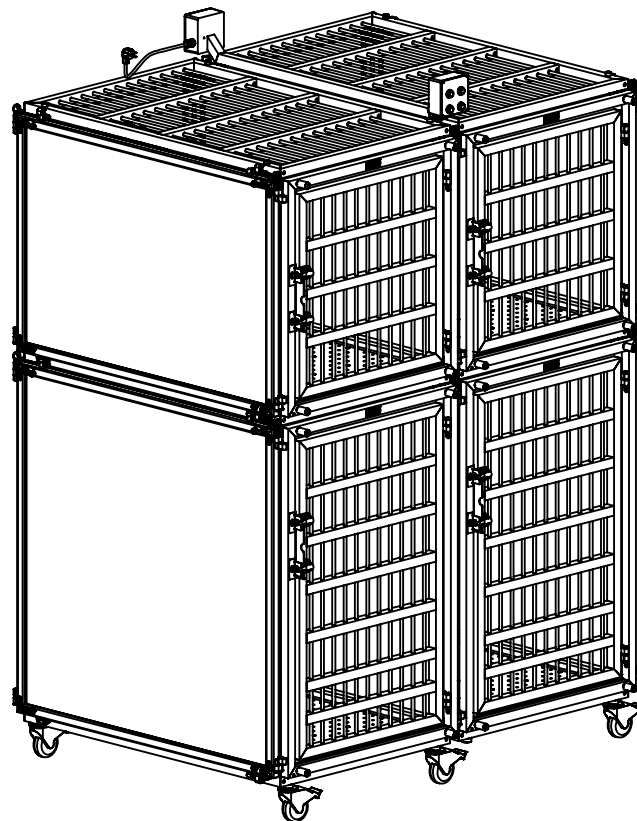
-05 Quad 32/32R Rear View



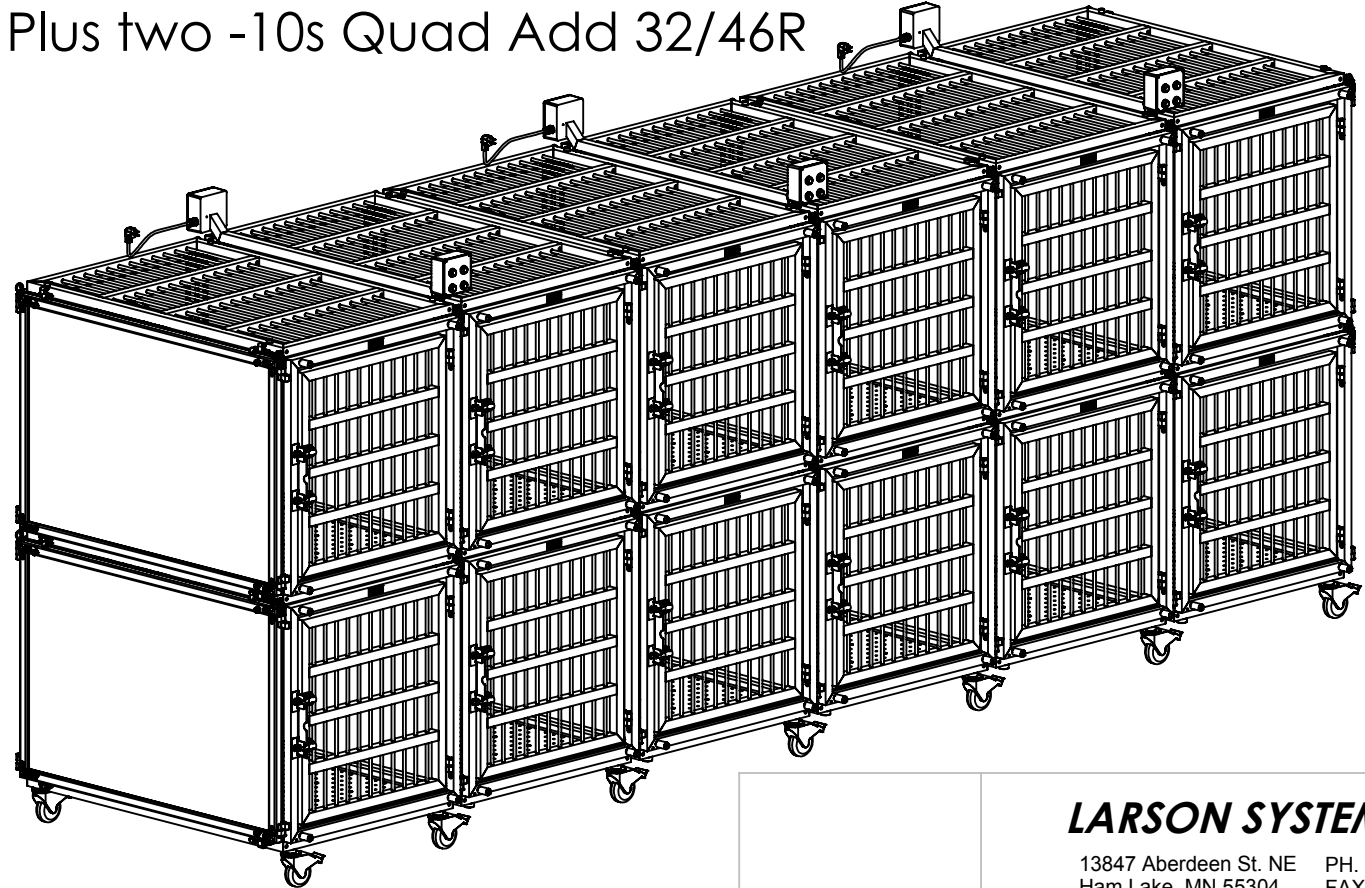
-06 Duplex 32/46R



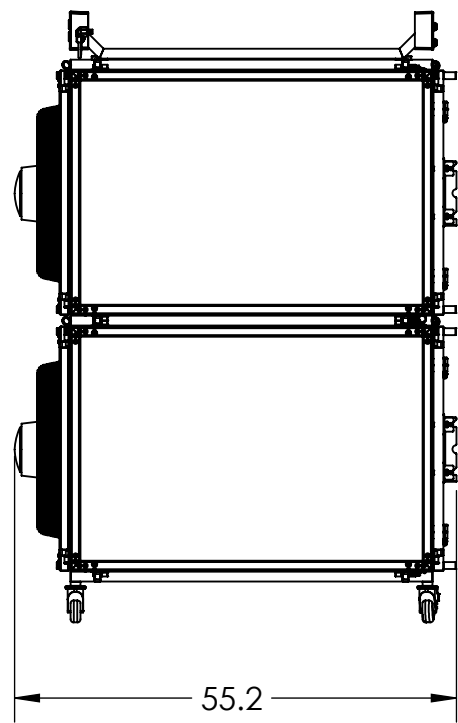
-07 Quad 32/46R



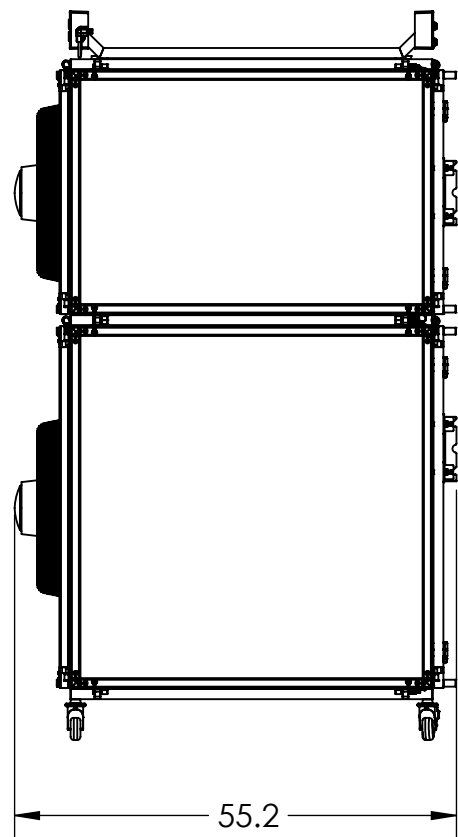
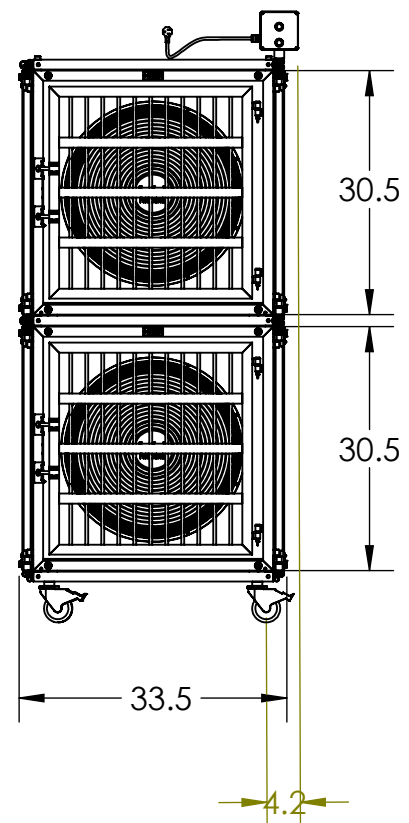
-05 Plus two -10s Quad Add 32/46R



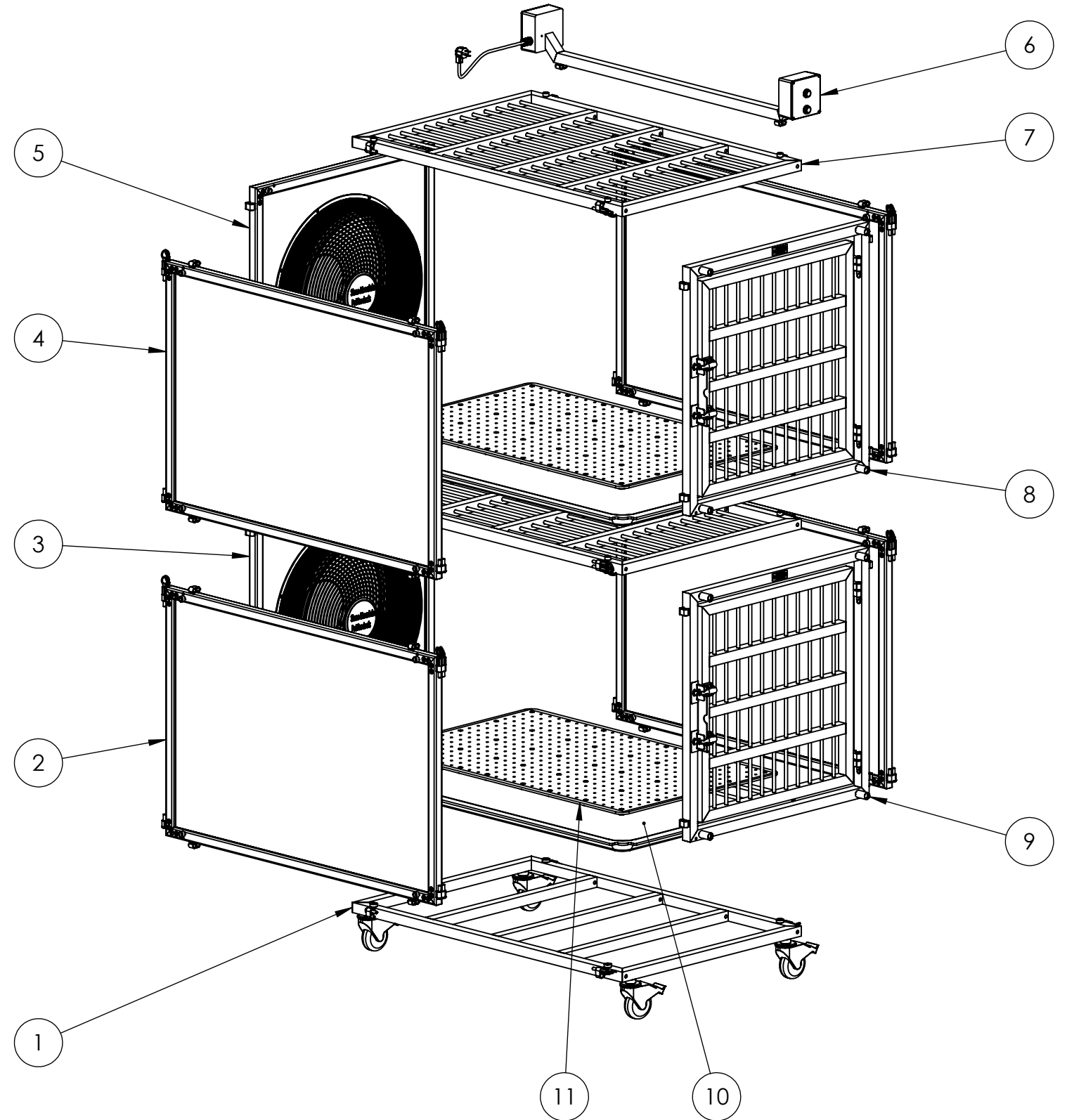
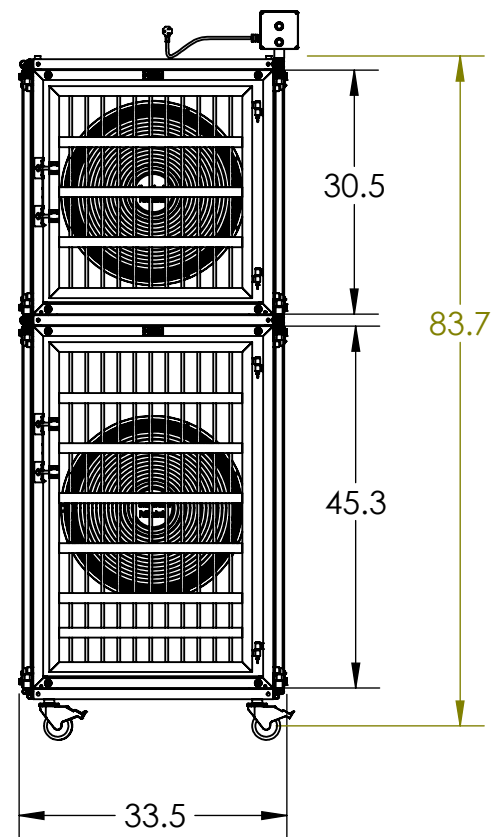
		LARSON SYSTEMS INC.	
		13847 Aberdeen St. NE PH. 763-780-2131 Ham Lake, MN 55304 FAX. 763-780-2182	
APPROVALS	DATE	<i>Dog Grooming Dryer - Express Kennel Option</i>	
DRAWN RRS	10/23/14		
APP.		B DWG. NO. 025-0000-0994-XXA	REV:
APP.			SCALE: NONE

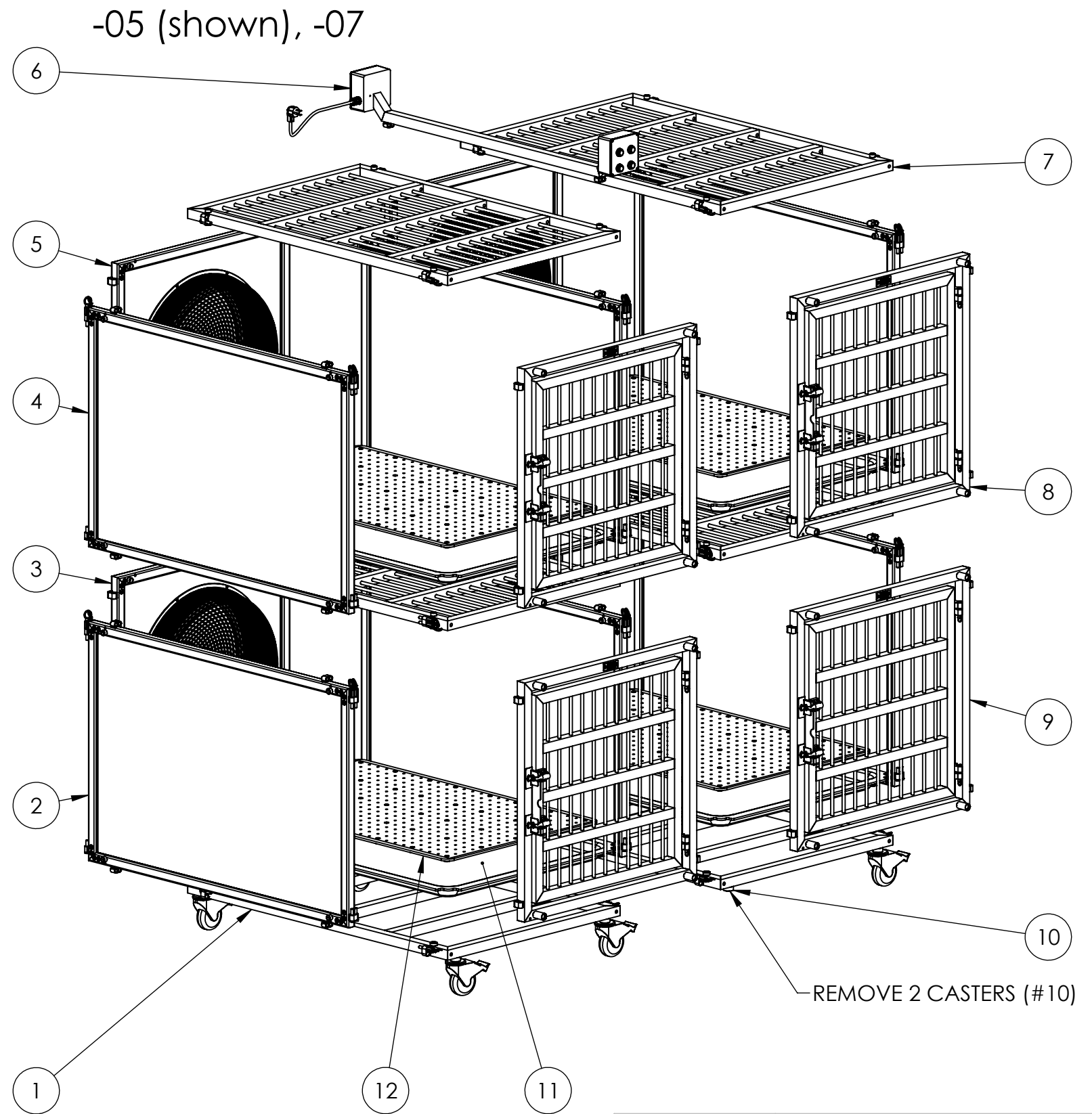
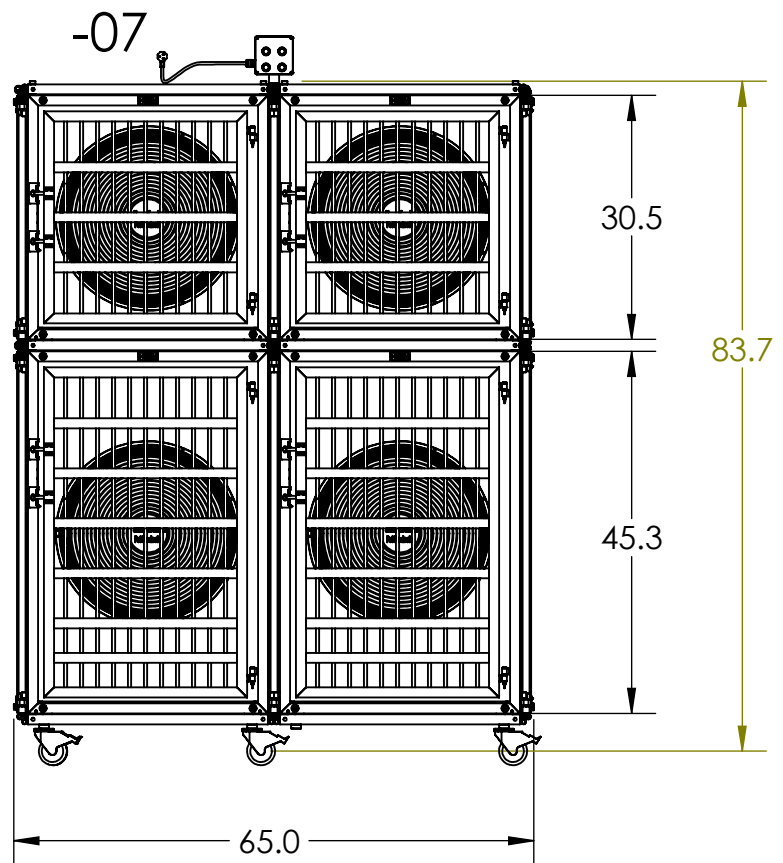
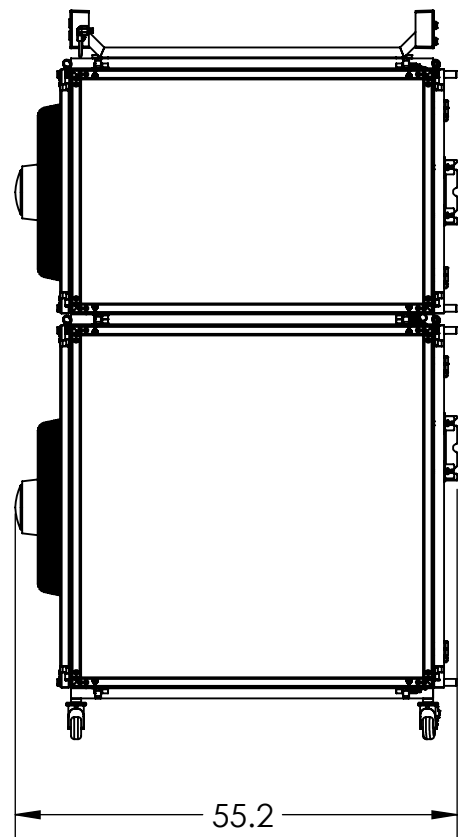
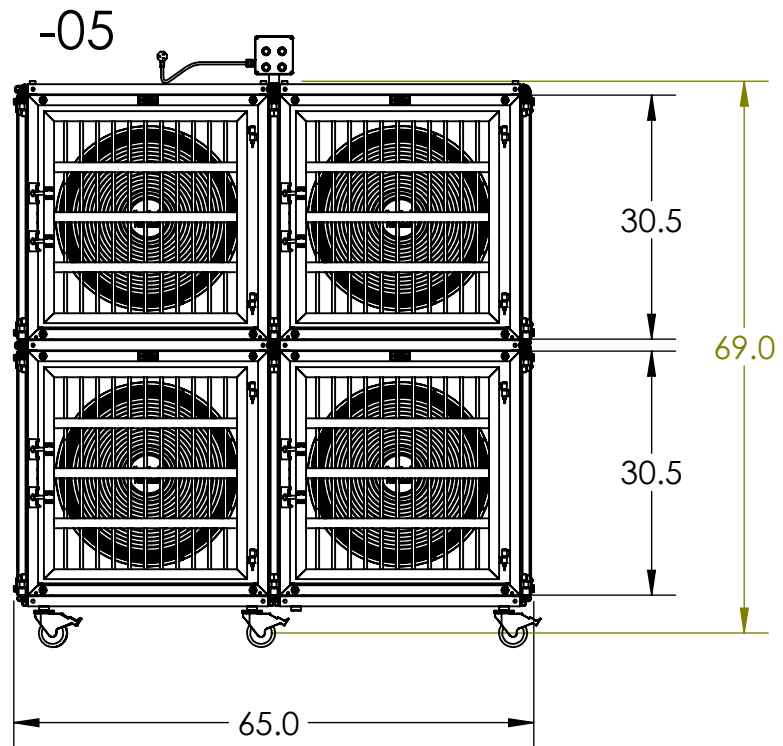
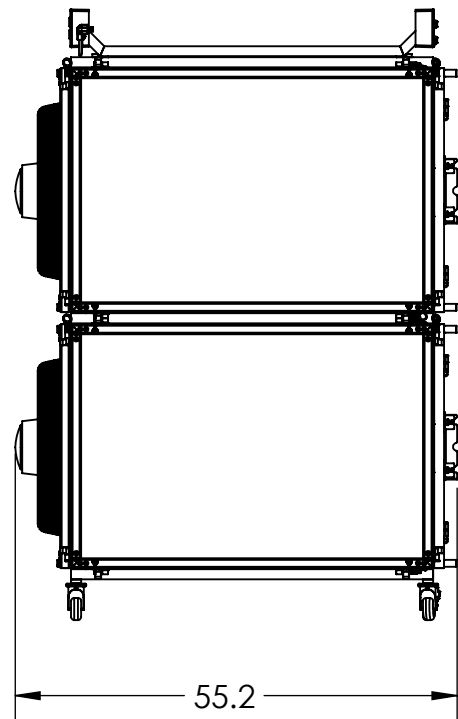


-04



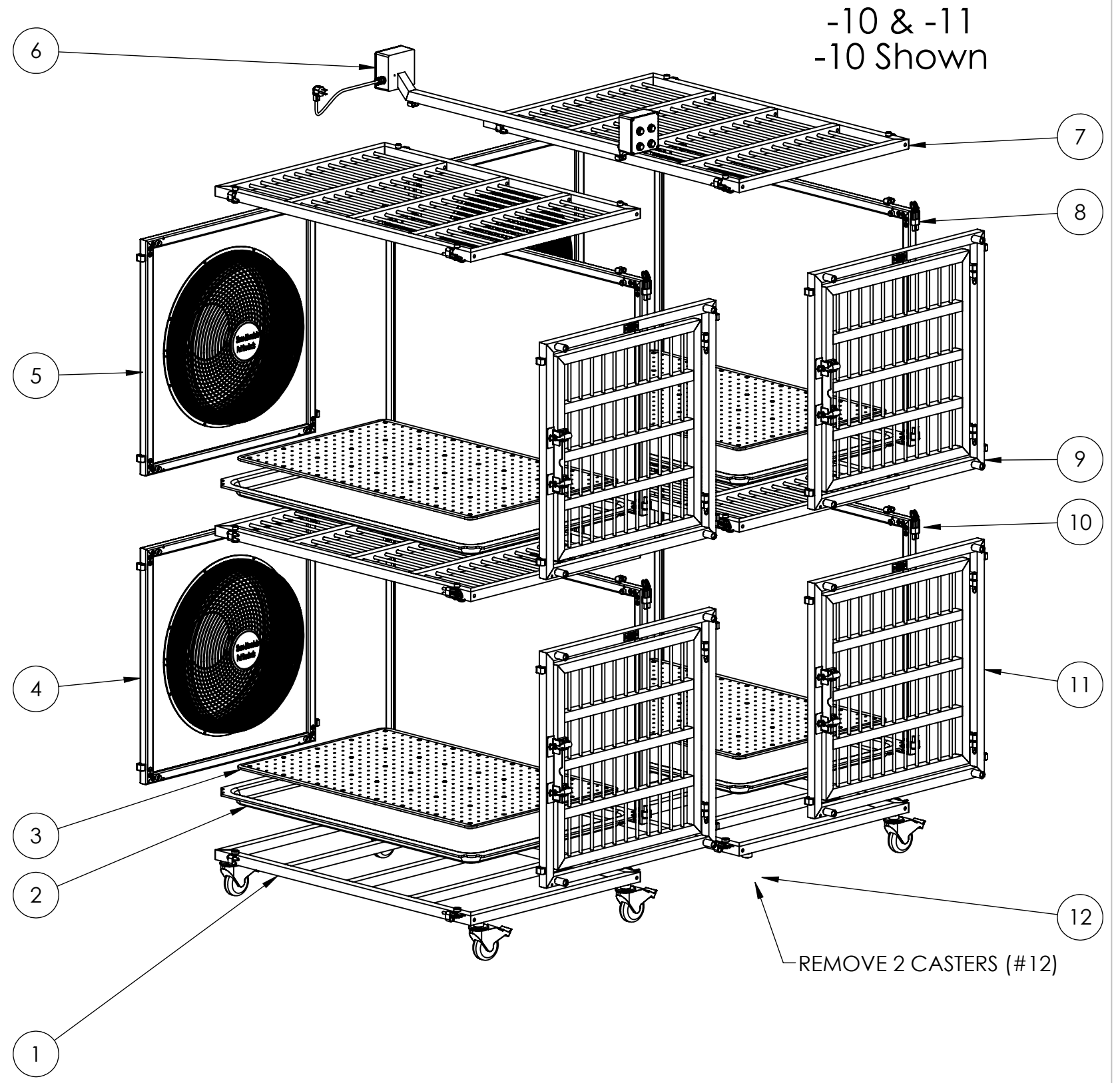
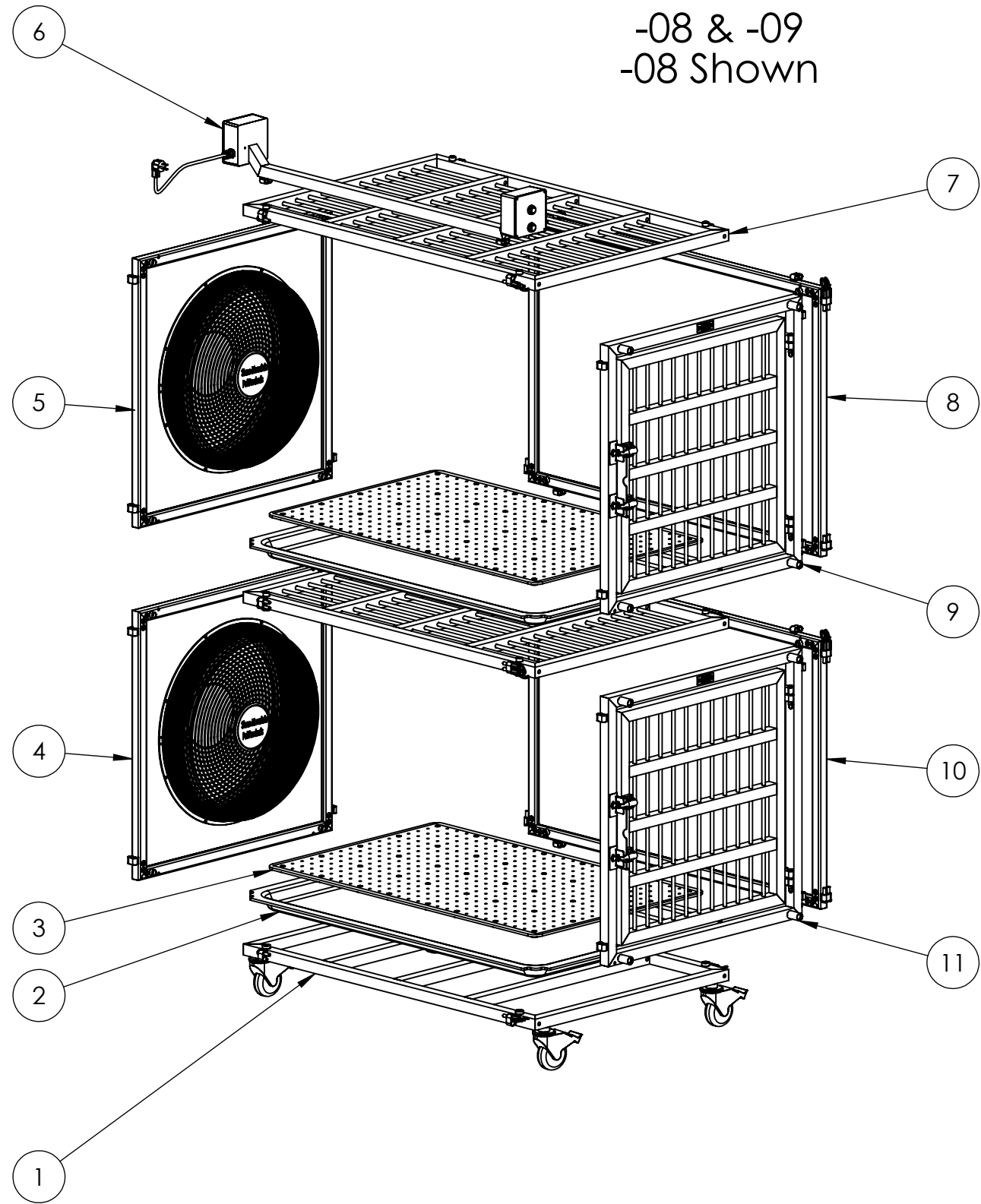
-06





LARSON SYSTEMS INC.

13847 Aberdeen St. NE PH. 763-780-2131
Ham Lake, MN 55304 FAX. 763-780-2182





025-0000-0994-00 A

Parts List

Grooming Dryer Duplex, 32/32, Fan on Side

Rev	By	Date	Description
	RRS	12-22-2014	
A	DAL	02-10-2015	Added -12 to -15

Item	Qty	Part Number	Rev	Part Name	PCB Location	Part Length
1	1	025-0000-0943-05	B	Kennel Bottom w/ Casters (Express Kennel)		in.
2	1	025-0000-0985-00	A	Panel with Drying Fan, 30.50" tall, Express Kennels		in.
3	1	025-0000-0986-01	A	1 Gang Power Assembly, Grooming Dryer		in.
4	1	025-0000-0942-00	B	30.5" tall - Solid Back Panel (Express Kennel)		in.
5	1	025-0000-0985-00	A	Panel with Drying Fan, 30.50" tall, Express Kennels		in.
6	1	025-0000-0942-00	B	30.5" tall - Solid Back Panel (Express Kennel)		in.
7	2	025-0000-0943-02	B	Grill Kennel Top - 2nd Level (Express Kennel)		in.
8	1	025-0000-0949-01	D	30.5" tall - Solid Side Panel, 2nd Level, 1st row (or w/		in.
9	1	025-0000-0940-05	B	30.5" tall - Grill Gate (Express Kennel)		in.
10	1	025-0000-0949-01	D	30.5" tall - Solid Side Panel, 2nd Level, 1st row (or w/		in.
11	1	025-0000-0940-05	B	30.5" tall - Grill Gate (Express Kennel)		in.
13	2	025-0000-0979-02	A	Dog Drying Rack, 26.63" X 41.88"		in.
14	2	018-0000-3722-00		Bottom Tray (Express Kennels)		in.

Approved by: 

Date: February 10, 2015

SEE ATTACHED 8 DRAWINGS



025-0000-0994-01 A

Parts List

Grooming Dryer Quad, 32/32, Fan on Side

Rev	By	Date	Description
	RRS	12-22-2014	
A	DAL	02-10-2015	Added -12 to -15

Item	Qty	Part Number	Rev	Part Name	PCB Location	Part Length
1	2	025-0000-0943-05	B	Kennel Bottom w/ Casters (Express Kennel)		in.
2	2	025-0000-0985-00	A	Panel with Drying Fan, 30.50" tall, Express Kennels		in.
3	1	025-0000-0986-00	A	2 Gang Power Assembly, Grooming Dryer		in.
4	2	025-0000-0942-00	B	30.5" tall - Solid Back Panel (Express Kennel)		in.
5	2	025-0000-0985-00	A	Panel with Drying Fan, 30.50" tall, Express Kennels		in.
6	2	025-0000-0942-00	B	30.5" tall - Solid Back Panel (Express Kennel)		in.
7	4	025-0000-0943-02	B	Grill Kennel Top - 2nd Level (Express Kennel)		in.
8	1	025-0000-0949-01	D	30.5" tall - Solid Side Panel, 2nd Level, 1st row (or w/		in.
9	2	025-0000-0940-05	B	30.5" tall - Grill Gate (Express Kennel)		in.
10	1	025-0000-0949-01	D	30.5" tall - Solid Side Panel, 2nd Level, 1st row (or w/		in.
11	2	025-0000-0940-05	B	30.5" tall - Grill Gate (Express Kennel)		in.
12	-2	013-2000-0379-00	A	Casters, Doggy Day care Divider, Ø3.5" wheel		in.
13	4	025-0000-0979-02	A	Dog Drying Rack, 26.63" X 41.88"		in.
14	4	018-0000-3722-00		Bottom Tray (Express Kennels)		in.

Approved by: 

Date: February 10, 2015

SEE ATTACHED 8 DRAWINGS



025-0000-0994-02 A

Parts List

Grooming Dryer Duplex, 32/46, Fan on Side

Rev	By	Date	Description
	RRS	12-22-2014	
A	DAL	02-10-2015	Added -12 to -15

Item	Qty	Part Number	Rev	Part Name	PCB Location	Part Length
1	1	025-0000-0943-05	B	Kennel Bottom w/ Casters (Express Kennel)		in.
2	1	025-0000-0985-01	A	Panel with Drying Fan, 45.25" tall, Express Kennels		in.
3	1	025-0000-0986-01	A	1 Gang Power Assembly, Grooming Dryer		in.
4	1	025-0000-0942-06	B	45.25" tall - Solid Back Panel (Express Kennel)		in.
5	1	025-0000-0985-00	A	Panel with Drying Fan, 30.50" tall, Express Kennels		in.
6	1	025-0000-0942-00	B	30.5" tall - Solid Back Panel (Express Kennel)		in.
7	2	025-0000-0943-02	B	Grill Kennel Top - 2nd Level (Express Kennel)		in.
8	1	025-0000-0949-01	D	30.5" tall - Solid Side Panel, 2nd Level, 1st row (or w/		in.
9	1	025-0000-0940-05	B	30.5" tall - Grill Gate (Express Kennel)		in.
10	1	025-0000-0949-07	D	45.25" tall - Solid Panel, Kennel on casters (Express		in.
11	1	025-0000-0940-15	B	45.25" tall - Grill Gate (Express Kennel)		in.
13	2	025-0000-0979-02	A	Dog Drying Rack, 26.63" X 41.88"		in.
14	2	018-0000-3722-00		Bottom Tray (Express Kennels)		in.

Approved by: 

Date: February 10, 2015

SEE ATTACHED 8 DRAWINGS



025-0000-0994-03 A

Parts List

Grooming Dryer Quad, 32/46, Fan on Side

Rev	By	Date	Description
	RRS	12-22-2014	
A	DAL	02-10-2015	Added -12 to -15

Item	Qty	Part Number	Rev	Part Name	PCB Location	Part Length
1	2	025-0000-0943-05	B	Kennel Bottom w/ Casters (Express Kennel)		in.
2	2	025-0000-0985-01	A	Panel with Drying Fan, 45.25" tall, Express Kennels		in.
3	1	025-0000-0986-00	A	2 Gang Power Assembly, Grooming Dryer		in.
4	2	025-0000-0942-06	B	45.25" tall - Solid Back Panel (Express Kennel)		in.
5	2	025-0000-0985-00	A	Panel with Drying Fan, 30.50" tall, Express Kennels		in.
6	2	025-0000-0942-00	B	30.5" tall - Solid Back Panel (Express Kennel)		in.
7	4	025-0000-0943-02	B	Grill Kennel Top - 2nd Level (Express Kennel)		in.
8	1	025-0000-0949-01	D	30.5" tall - Solid Side Panel, 2nd Level, 1st row (or w/		in.
9	2	025-0000-0940-05	B	30.5" tall - Grill Gate (Express Kennel)		in.
10	1	025-0000-0949-07	D	45.25" tall - Solid Panel, Kennel on casters (Express		in.
11	2	025-0000-0940-15	B	45.25" tall - Grill Gate (Express Kennel)		in.
12	-2	013-2000-0379-00	A	Casters, Doggy Day care Divider, Ø3.5" wheel		in.
13	4	025-0000-0979-02	A	Dog Drying Rack, 26.63" X 41.88"		in.
14	4	018-0000-3722-00		Bottom Tray (Express Kennels)		in.

Approved by: 

Date: February 10, 2015

SEE ATTACHED 8 DRAWINGS



025-0000-0994-04 A

Parts List

Grooming Dryer Duplex, 32/32, Fan in Back

Rev	By	Date	Description
	RRS	12-22-2014	
A	DAL	02-10-2015	Added -12 to -15

Item	Qty	Part Number	Rev	Part Name	PCB Location	Part Length
1	1	025-0000-0943-05	B	Kennel Bottom w/ Casters (Express Kennel)		in.
2	2	025-0000-0949-01	D	30.5" tall - Solid Side Panel, 2nd Level, 1st row (or w/		in.
3	1	025-0000-0985-02	A	Rear Panel with Drying Fan, 30.50" tall, Express		in.
4	2	025-0000-0949-01	D	30.5" tall - Solid Side Panel, 2nd Level, 1st row (or w/		in.
5	1	025-0000-0985-02	A	Rear Panel with Drying Fan, 30.50" tall, Express		in.
6	1	025-0000-0995-00		Switch Assembly, 2 switch, Grooming Dryer, Fan in the		in.
7	2	025-0000-0943-02	B	Grill Kennel Top - 2nd Level (Express Kennel)		in.
8	1	025-0000-0940-05	B	30.5" tall - Grill Gate (Express Kennel)		in.
9	1	025-0000-0940-05	B	30.5" tall - Grill Gate (Express Kennel)		in.
10	2	018-0000-3722-00		Bottom Tray (Express Kennels)		in.
11	2	025-0000-0979-02	A	Dog Drying Rack, 26.63" X 41.88"		in.

Approved by: 

Date: February 10, 2015

SEE ATTACHED 8 DRAWINGS



025-0000-0994-05 A

Parts List

Grooming Dryer Quad, 32/32, Fan in Back

Rev	By	Date	Description
	RRS	12-22-2014	
A	DAL	02-10-2015	Added -12 to -15

Item	Qty	Part Number	Rev	Part Name	PCB Location	Part Length
1	2	025-0000-0943-05	B	Kennel Bottom w/ Casters (Express Kennel)		in.
2	3	025-0000-0949-01	D	30.5" tall - Solid Side Panel, 2nd Level, 1st row (or w/		in.
3	2	025-0000-0985-02	A	Rear Panel with Drying Fan, 30.50" tall, Express		in.
4	3	025-0000-0949-01	D	30.5" tall - Solid Side Panel, 2nd Level, 1st row (or w/		in.
5	2	025-0000-0985-02	A	Rear Panel with Drying Fan, 30.50" tall, Express		in.
6	1	025-0000-0995-01		Switch Assembly, 4 switch Grooming Dryer, Fan in the		in.
7	4	025-0000-0943-02	B	Grill Kennel Top - 2nd Level (Express Kennel)		in.
8	2	025-0000-0940-05	B	30.5" tall - Grill Gate (Express Kennel)		in.
9	2	025-0000-0940-05	B	30.5" tall - Grill Gate (Express Kennel)		in.
10	-2	013-2000-0379-00	A	Casters, Doggy Day care Divider, Ø3.5" wheel		in.
11	4	018-0000-3722-00		Bottom Tray (Express Kennels)		in.
12	4	025-0000-0979-02	A	Dog Drying Rack, 26.63" X 41.88"		in.

Approved by: 

Date: February 10, 2015

SEE ATTACHED 8 DRAWINGS



025-0000-0994-06 A

Parts List

Grooming Dryer Duplex, 32/46, Fan in Back

Rev	By	Date	Description
	RRS	12-22-2014	
A	DAL	02-10-2015	Added -12 to -15

Item	Qty	Part Number	Rev	Part Name	PCB Location	Part Length
1	1	025-0000-0943-05	B	Kennel Bottom w/ Casters (Express Kennel)		in.
2	2	025-0000-0949-07	D	45.25" tall - Solid Panel, Kennel on casters (Express		in.
3	1	025-0000-0985-03	A	Rear Panel with Drying Fan, 45.25" tall, Express		in.
4	2	025-0000-0949-01	D	30.5" tall - Solid Side Panel, 2nd Level, 1st row (or w/		in.
5	1	025-0000-0985-02	A	Rear Panel with Drying Fan, 30.50" tall, Express		in.
6	1	025-0000-0995-00		Switch Assembly, 2 switch, Grooming Dryer, Fan in the		in.
7	2	025-0000-0943-02	B	Grill Kennel Top - 2nd Level (Express Kennel)		in.
8	1	025-0000-0940-05	B	30.5" tall - Grill Gate (Express Kennel)		in.
9	1	025-0000-0940-15	B	45.25" tall - Grill Gate (Express Kennel)		in.
10	2	018-0000-3722-00		Bottom Tray (Express Kennels)		in.
11	2	025-0000-0979-02	A	Dog Drying Rack, 26.63" X 41.88"		in.

Approved by: 

Date: February 10, 2015

SEE ATTACHED 8 DRAWINGS



025-0000-0994-07 A

Parts List

Grooming Dryer Quad, 32/46, Fan in Back

Rev	By	Date	Description
	RRS	12-22-2014	
A	DAL	02-10-2015	Added -12 to -15

Item	Qty	Part Number	Rev	Part Name	PCB Location	Part Length
1	2	025-0000-0943-05	B	Kennel Bottom w/ Casters (Express Kennel)		in.
2	3	025-0000-0949-07	D	45.25" tall - Solid Panel, Kennel on casters (Express		in.
3	2	025-0000-0985-03	A	Rear Panel with Drying Fan, 45.25" tall, Express		in.
4	3	025-0000-0949-01	D	30.5" tall - Solid Side Panel, 2nd Level, 1st row (or w/		in.
5	2	025-0000-0985-02	A	Rear Panel with Drying Fan, 30.50" tall, Express		in.
6	1	025-0000-0995-01		Switch Assembly, 4 switch Grooming Dryer, Fan in the		in.
7	4	025-0000-0943-02	B	Grill Kennel Top - 2nd Level (Express Kennel)		in.
8	2	025-0000-0940-05	B	30.5" tall - Grill Gate (Express Kennel)		in.
9	2	025-0000-0940-15	B	45.25" tall - Grill Gate (Express Kennel)		in.
10	-2	013-2000-0379-00	A	Casters, Doggy Day care Divider, Ø3.5" wheel		in.
11	4	018-0000-3722-00		Bottom Tray (Express Kennels)		in.
12	4	025-0000-0979-02	A	Dog Drying Rack, 26.63" X 41.88"		in.

Approved by: 

Date: February 10, 2015

SEE ATTACHED 8 DRAWINGS



025-0000-0994-08 A

Parts List

Grooming Dryer Duplex, 32/32, Fan in Back, Add on 2

Rev	By	Date	Description
	RRS	12-22-2014	
A	DAL	02-10-2015	Added -12 to -15

Item	Qty	Part Number	Rev	Part Name	PCB Location	Part Length
1	1	025-0000-0943-05	B	Kennel Bottom w/ Casters (Express Kennel)		in.
2	2	018-0000-3722-00		Bottom Tray (Express Kennels)		in.
3	2	025-0000-0979-02	A	Dog Drying Rack, 26.63" X 41.88"		in.
4	1	025-0000-0985-02	A	Rear Panel with Drying Fan, 30.50" tall, Express		in.
5	1	025-0000-0985-02	A	Rear Panel with Drying Fan, 30.50" tall, Express		in.
6	1	025-0000-0995-00		Switch Assembly, 2 switch, Grooming Dryer, Fan in the		in.
7	2	025-0000-0943-02	B	Grill Kennel Top - 2nd Level (Express Kennel)		in.
8	1	025-0000-0949-01	D	30.5" tall - Solid Side Panel, 2nd Level, 1st row (or w/		in.
9	1	025-0000-0940-05	B	30.5" tall - Grill Gate (Express Kennel)		in.
10	1	025-0000-0949-01	D	30.5" tall - Solid Side Panel, 2nd Level, 1st row (or w/		in.
11	1	025-0000-0940-05	B	30.5" tall - Grill Gate (Express Kennel)		in.

Approved by: 

Date: February 10, 2015

SEE ATTACHED 8 DRAWINGS



025-0000-0994-09 A

Parts List

Grooming Dryer Duplex, 32/46, Fan in Back, Add on 2

Rev	By	Date	Description
	RRS	12-22-2014	
A	DAL	02-10-2015	Added -12 to -15

Item	Qty	Part Number	Rev	Part Name	PCB Location	Part Length
1	1	025-0000-0943-05	B	Kennel Bottom w/ Casters (Express Kennel)		in.
2	2	018-0000-3722-00		Bottom Tray (Express Kennels)		in.
3	2	025-0000-0979-02	A	Dog Drying Rack, 26.63" X 41.88"		in.
4	1	025-0000-0985-03	A	Rear Panel with Drying Fan, 45.25" tall, Express		in.
5	1	025-0000-0985-02	A	Rear Panel with Drying Fan, 30.50" tall, Express		in.
6	1	025-0000-0995-00		Switch Assembly, 2 switch, Grooming Dryer, Fan in the		in.
7	2	025-0000-0943-02	B	Grill Kennel Top - 2nd Level (Express Kennel)		in.
8	1	025-0000-0949-01	D	30.5" tall - Solid Side Panel, 2nd Level, 1st row (or w/		in.
9	1	025-0000-0940-05	B	30.5" tall - Grill Gate (Express Kennel)		in.
10	1	025-0000-0949-07	D	45.25" tall - Solid Panel, Kennel on casters (Express		in.
11	1	025-0000-0940-15	B	45.25" tall - Grill Gate (Express Kennel)		in.

Approved by: 

Date: February 10, 2015

SEE ATTACHED 8 DRAWINGS



025-0000-0994-10 A

Parts List

Grooming Dryer Quad, 32/32, Fan in Back, Add on 4

Rev	By	Date	Description
	RRS	12-22-2014	
A	DAL	02-10-2015	Added -12 to -15

Item	Qty	Part Number	Rev	Part Name	PCB Location	Part Length
1	2	025-0000-0943-05	B	Kennel Bottom w/ Casters (Express Kennel)		in.
2	4	018-0000-3722-00		Bottom Tray (Express Kennels)		in.
3	4	025-0000-0979-02	A	Dog Drying Rack, 26.63" X 41.88"		in.
4	2	025-0000-0985-02	A	Rear Panel with Drying Fan, 30.50" tall, Express		in.
5	2	025-0000-0985-02	A	Rear Panel with Drying Fan, 30.50" tall, Express		in.
6	1	025-0000-0995-01		Switch Assembly, 4 switch Grooming Dryer, Fan in the		in.
7	4	025-0000-0943-02	B	Grill Kennel Top - 2nd Level (Express Kennel)		in.
8	2	025-0000-0949-01	D	30.5" tall - Solid Side Panel, 2nd Level, 1st row (or w/		in.
9	2	025-0000-0940-05	B	30.5" tall - Grill Gate (Express Kennel)		in.
10	2	025-0000-0949-01	D	30.5" tall - Solid Side Panel, 2nd Level, 1st row (or w/		in.
11	2	025-0000-0940-05	B	30.5" tall - Grill Gate (Express Kennel)		in.
12	-2	013-2000-0379-00	A	Casters, Doggy Day care Divider, Ø3.5" wheel		in.

Approved by: 

Date: February 10, 2015

SEE ATTACHED 8 DRAWINGS



025-0000-0994-11 A

Parts List

Grooming Dryer Quad, 32/46, Fan in Back, Add on 4

Rev	By	Date	Description
	RRS	12-22-2014	
A	DAL	02-10-2015	Added -12 to -15

Item	Qty	Part Number	Rev	Part Name	PCB Location	Part Length
1	2	025-0000-0943-05	B	Kennel Bottom w/ Casters (Express Kennel)		in.
2	4	018-0000-3722-00		Bottom Tray (Express Kennels)		in.
3	4	025-0000-0979-02	A	Dog Drying Rack, 26.63" X 41.88"		in.
4	2	025-0000-0985-03	A	Rear Panel with Drying Fan, 45.25" tall, Express		in.
5	2	025-0000-0985-02	A	Rear Panel with Drying Fan, 30.50" tall, Express		in.
6	1	025-0000-0995-01		Switch Assembly, 4 switch Grooming Dryer, Fan in the		in.
7	4	025-0000-0943-02	B	Grill Kennel Top - 2nd Level (Express Kennel)		in.
8	2	025-0000-0949-01	D	30.5" tall - Solid Side Panel, 2nd Level, 1st row (or w/		in.
9	2	025-0000-0940-05	B	30.5" tall - Grill Gate (Express Kennel)		in.
10	2	025-0000-0949-07	D	45.25" tall - Solid Panel, Kennel on casters (Express		in.
11	2	025-0000-0940-15	B	45.25" tall - Grill Gate (Express Kennel)		in.
12	-2	013-2000-0379-00	A	Casters, Doggy Day care Divider, Ø3.5" wheel		in.

Approved by: 

Date: February 10, 2015

SEE ATTACHED 8 DRAWINGS



025-0000-0994-12 A

Parts List

Grooming Dryer, Single, 32, Fan on Side

Rev	By	Date	Description
	RRS	12-22-2014	
A	DAL	02-10-2015	Added -12 to -15

Item	Qty	Part Number	Rev	Part Name	PCB Location	Part Length
1	1	025-0000-0943-05	B	Kennel Bottom w/ Casters (Express Kennel)		in.
2	1	025-0000-0985-00	A	Panel with Drying Fan, 30.50" tall, Express Kennels		in.
3	0	025-0000-0986-01	A	1 Gang Power Assembly, Grooming Dryer		in.
4	1	025-0000-0942-00	B	30.5" tall - Solid Back Panel (Express Kennel)		in.
5	0	025-0000-0985-00	A	Panel with Drying Fan, 30.50" tall, Express Kennels		in.
6	0	025-0000-0942-00	B	30.5" tall - Solid Back Panel (Express Kennel)		in.
7	1	025-0000-0943-02	B	Grill Kennel Top - 2nd Level (Express Kennel)		in.
8	0	025-0000-0949-01	D	30.5" tall - Solid Side Panel, 2nd Level, 1st row (or w/		in.
9	0	025-0000-0940-05	B	30.5" tall - Grill Gate (Express Kennel)		in.
10	1	025-0000-0949-01	D	30.5" tall - Solid Side Panel, 2nd Level, 1st row (or w/		in.
11	1	025-0000-0940-05	B	30.5" tall - Grill Gate (Express Kennel)		in.
13	1	025-0000-0979-02	A	Dog Drying Rack, 26.63" X 41.88"		in.
14	1	018-0000-3722-00		Bottom Tray (Express Kennels)		in.

Approved by: 

Date: February 10, 2015



025-0000-0994-13 A

Parts List

Grooming Dryer, Single, 46, Fan on Side

Rev	By	Date	Description
	RRS	12-22-2014	
A	DAL	02-10-2015	Added -12 to -15

Item	Qty	Part Number	Rev	Part Name	PCB Location	Part Length
1	1	025-0000-0943-05	B	Kennel Bottom w/ Casters (Express Kennel)		in.
2	1	025-0000-0985-01	A	Panel with Drying Fan, 45.25" tall, Express Kennels		in.
3	0	025-0000-0986-01	A	1 Gang Power Assembly, Grooming Dryer		in.
4	1	025-0000-0942-06	B	45.25" tall - Solid Back Panel (Express Kennel)		in.
5	0	025-0000-0985-00	A	Panel with Drying Fan, 30.50" tall, Express Kennels		in.
6	0	025-0000-0942-00	B	30.5" tall - Solid Back Panel (Express Kennel)		in.
7	1	025-0000-0943-02	B	Grill Kennel Top - 2nd Level (Express Kennel)		in.
8	0	025-0000-0949-01	D	30.5" tall - Solid Side Panel, 2nd Level, 1st row (or w/		in.
9	0	025-0000-0940-05	B	30.5" tall - Grill Gate (Express Kennel)		in.
10	1	025-0000-0949-07	D	45.25" tall - Solid Panel, Kennel on casters (Express		in.
11	1	025-0000-0940-15	B	45.25" tall - Grill Gate (Express Kennel)		in.
13	1	025-0000-0979-02	A	Dog Drying Rack, 26.63" X 41.88"		in.
14	1	018-0000-3722-00		Bottom Tray (Express Kennels)		in.

Approved by: 

Date: February 10, 2015



025-0000-0994-14 A

Parts List

Grooming Dryer Duplex-H, 32-32, Fan on Side

Rev	By	Date	Description
	RRS	12-22-2014	
A	DAL	02-10-2015	Added -12 to -15

Item	Qty	Part Number	Rev	Part Name	PCB Location	Part Length
1	2	025-0000-0943-05	B	Kennel Bottom w/ Casters (Express Kennel)		in.
2	2	025-0000-0985-00	A	Panel with Drying Fan, 30.50" tall, Express Kennels		in.
3	0	025-0000-0986-00	A	2 Gang Power Assembly, Grooming Dryer		in.
4	2	025-0000-0942-00	B	30.5" tall - Solid Back Panel (Express Kennel)		in.
5	0	025-0000-0985-00	A	Panel with Drying Fan, 30.50" tall, Express Kennels		in.
6	0	025-0000-0942-00	B	30.5" tall - Solid Back Panel (Express Kennel)		in.
7	2	025-0000-0943-02	B	Grill Kennel Top - 2nd Level (Express Kennel)		in.
8	0	025-0000-0949-01	D	30.5" tall - Solid Side Panel, 2nd Level, 1st row (or w/		in.
9	0	025-0000-0940-05	B	30.5" tall - Grill Gate (Express Kennel)		in.
10	1	025-0000-0949-01	D	30.5" tall - Solid Side Panel, 2nd Level, 1st row (or w/		in.
11	2	025-0000-0940-05	B	30.5" tall - Grill Gate (Express Kennel)		in.
12	-2	013-2000-0379-00	A	Castors, Doggy Day care Divider, Ø3.5" wheel		in.
13	2	025-0000-0979-02	A	Dog Drying Rack, 26.63" X 41.88"		in.
14	2	018-0000-3722-00		Bottom Tray (Express Kennels)		in.

Approved by: 

Date: February 10, 2015



025-0000-0994-15 A

Parts List

Grooming Dryer Duplex-H, 46-46, Fan on Side

Rev	By	Date	Description
	RRS	12-22-2014	
A	DAL	02-10-2015	Added -12 to -15

Item	Qty	Part Number	Rev	Part Name	PCB Location	Part Length
1	2	025-0000-0943-05	B	Kennel Bottom w/ Casters (Express Kennel)		in.
2	2	025-0000-0985-01	A	Panel with Drying Fan, 45.25" tall, Express Kennels		in.
3	0	025-0000-0986-00	A	2 Gang Power Assembly, Grooming Dryer		in.
4	2	025-0000-0942-06	B	45.25" tall - Solid Back Panel (Express Kennel)		in.
5	0	025-0000-0985-00	A	Panel with Drying Fan, 30.50" tall, Express Kennels		in.
6	0	025-0000-0942-00	B	30.5" tall - Solid Back Panel (Express Kennel)		in.
7	2	025-0000-0943-02	B	Grill Kennel Top - 2nd Level (Express Kennel)		in.
8	0	025-0000-0949-01	D	30.5" tall - Solid Side Panel, 2nd Level, 1st row (or w/		in.
9	0	025-0000-0940-05	B	30.5" tall - Grill Gate (Express Kennel)		in.
10	1	025-0000-0949-07	D	45.25" tall - Solid Panel, Kennel on casters (Express		in.
11	2	025-0000-0940-15	B	45.25" tall - Grill Gate (Express Kennel)		in.
12	-2	013-2000-0379-00	A	Casters, Doggy Day care Divider, Ø3.5" wheel		in.
13	2	025-0000-0979-02	A	Dog Drying Rack, 26.63" X 41.88"		in.
14	2	018-0000-3722-00		Bottom Tray (Express Kennels)		in.

Approved by: 

Date: February 10, 2015