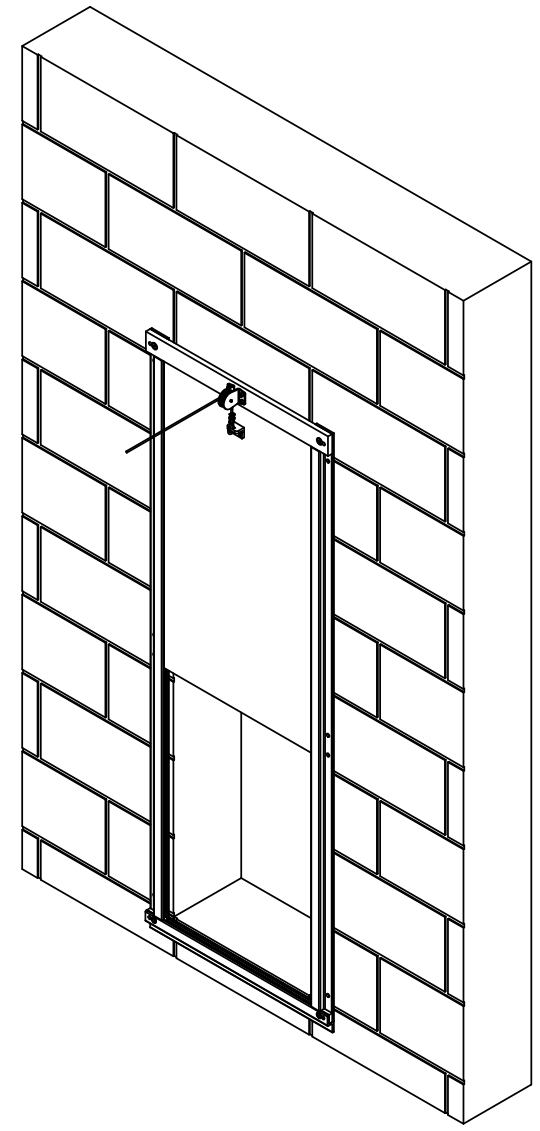
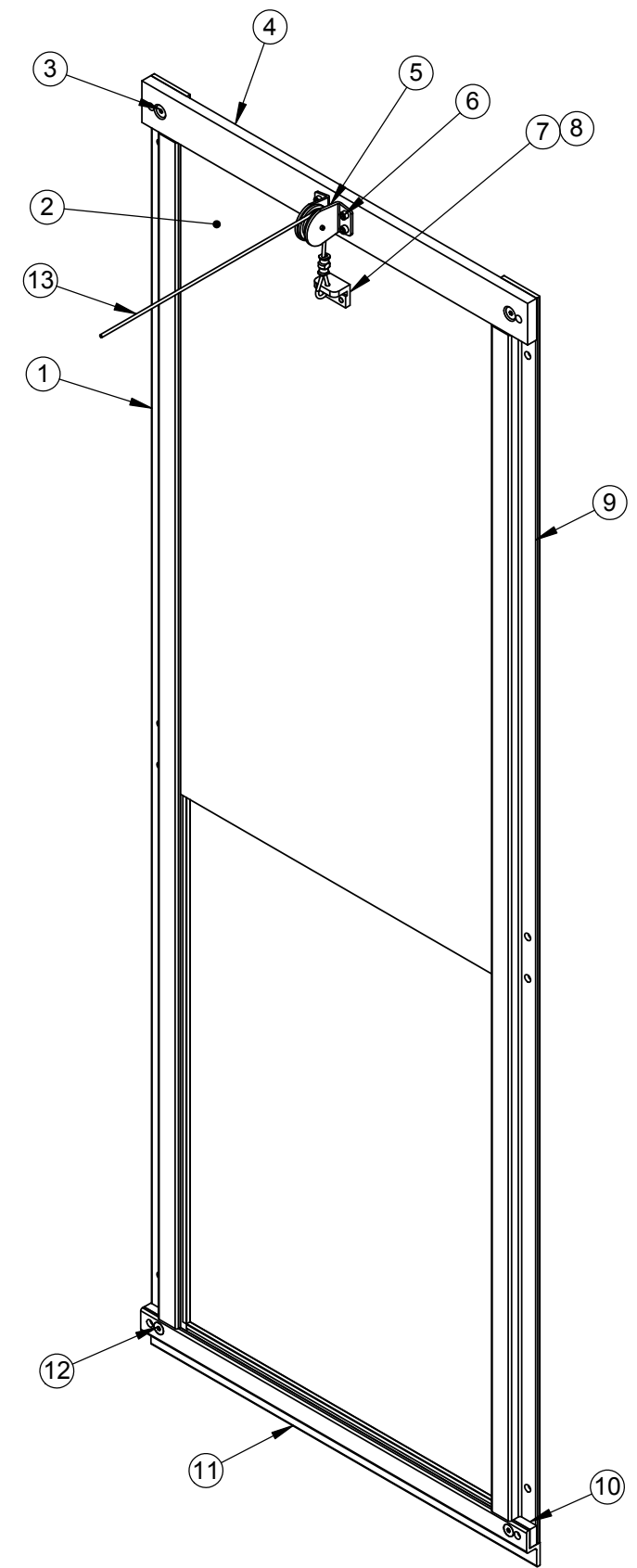
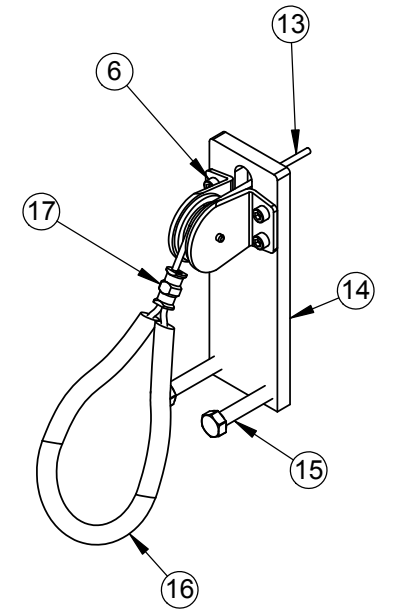
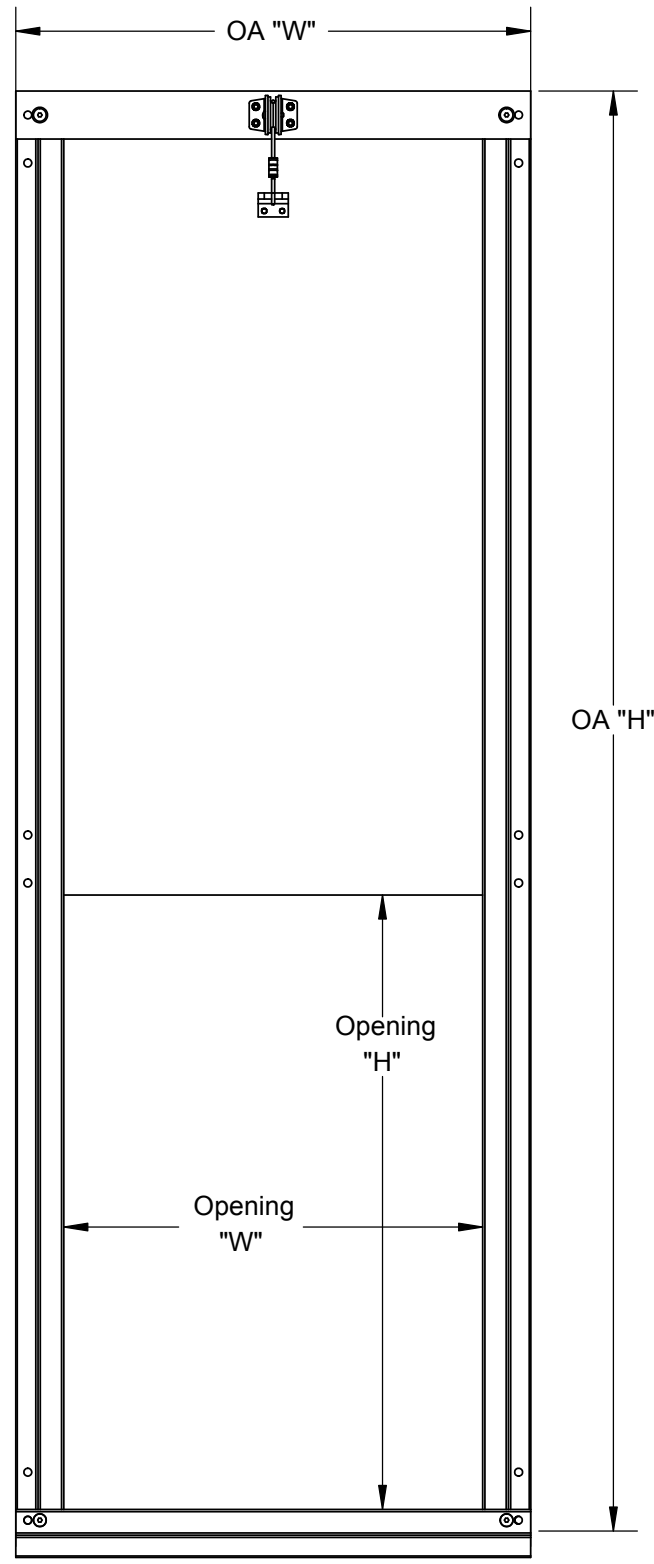



Part #	Opening "W"	Opening "H"	OA "W"	OA "H"
-00	17.45	25.60	21.45	61.10
-03	17.45	29.60	21.45	65.10
-04	18.45	35.60	22.45	77.10

REV	DATE	DESCRIPTION	DRW	APP



- Features:
1. Tough non warping 1/4" thick white ABS Plastic door
 2. Close fitting extruded track covers 3 sides of door to reduce air infiltration
 3. Preassembled frame for easy field installation (6 anchors included)
 4. Additional mounting holes supplied to miss cement grout joints
 5. Smooth operation in extruded track
 6. Calk between frame and wall for minimum air infiltration
 7. Does not includes Wire Cable (specify length) or Clear Poly handle
 8. Clear Anodize finish for easy cleaning and attractive appearance.
 9. Aluminum Pulleys (not plastic) for durable trouble free operation

UNLESS OTHERWISE SPECIFIED DIMENSIONS ARE IN INCHES TOLERANCES ARE: .XX ± .01 .XXX ± .005	 LARSON SYSTEMS INC. 10073 Baltimore St. NE PH. 763-780-2131 Mpls., MN 55449 FAX. 763-780-2182			
			MATERIAL	-
FINISH	-	APPROVALS	DATE	Kennel Guillotine Door Assembly B DWG. NO. 025-0000-0674-00G SCALE: NONE
HEAT TREAT	-	DRAWN	03-12-05	
		APP.		SHEET 1 OF 2