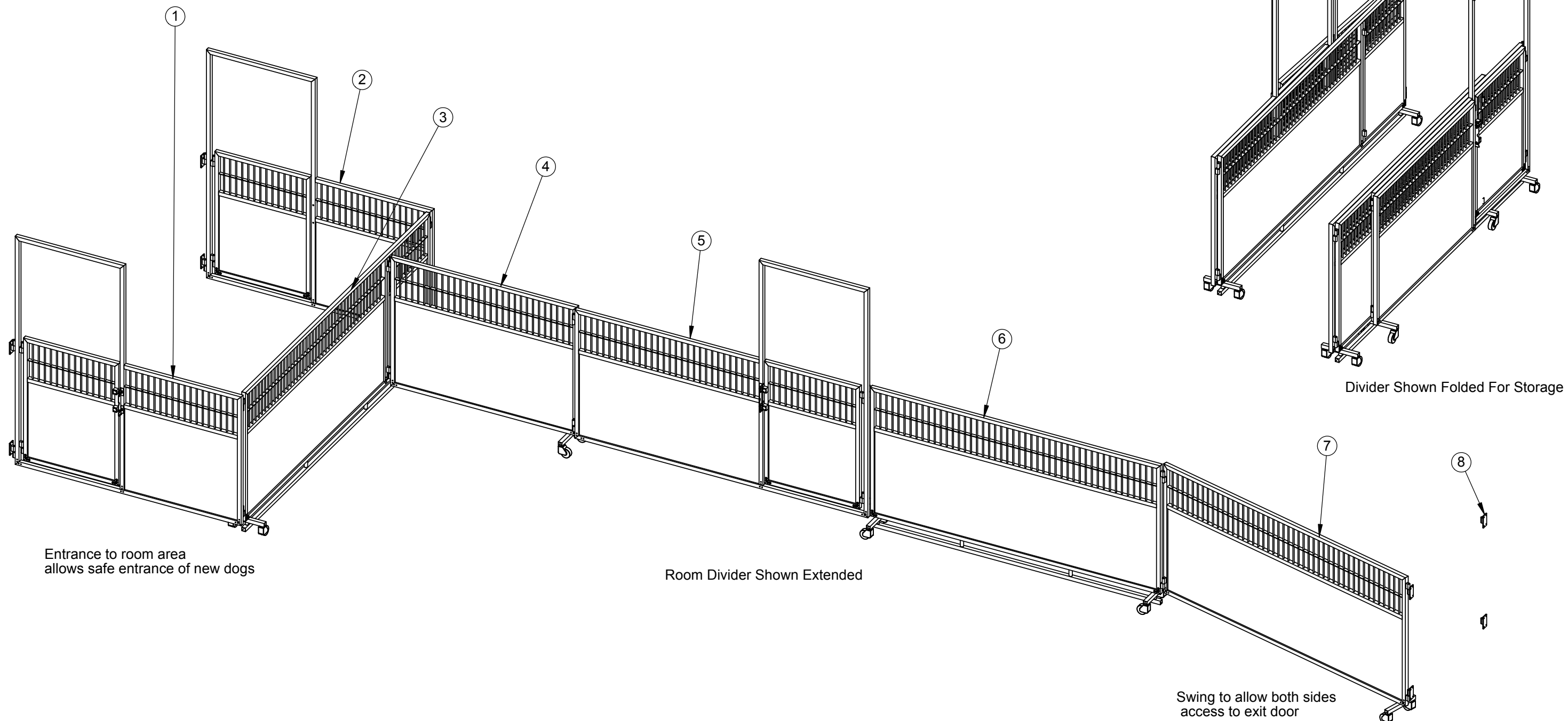


REV	DATE	DESCRIPTION	DRW	APP




Entrance to room area  
allows safe entrance of new dogs

Room Divider Shown Extended

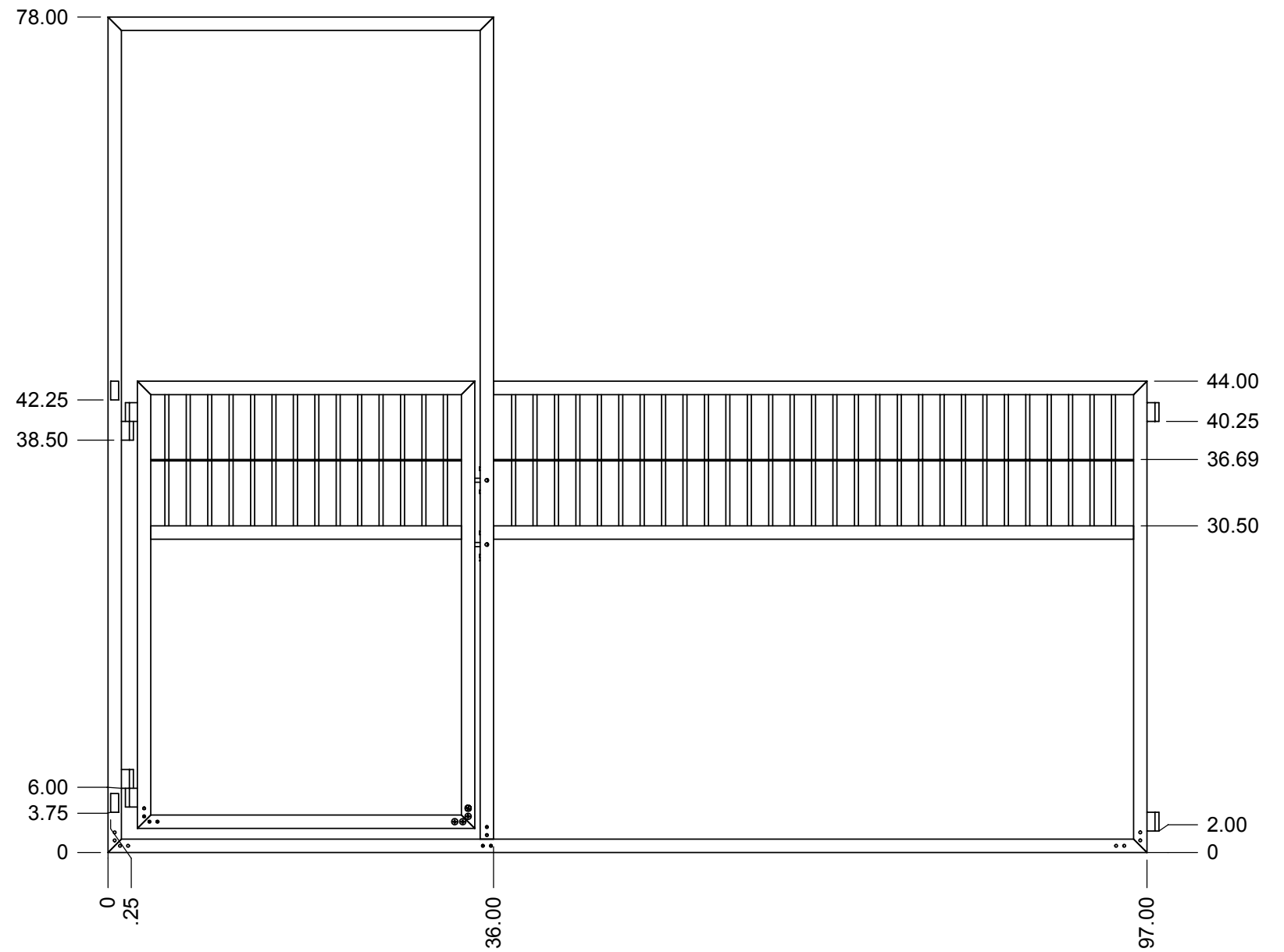
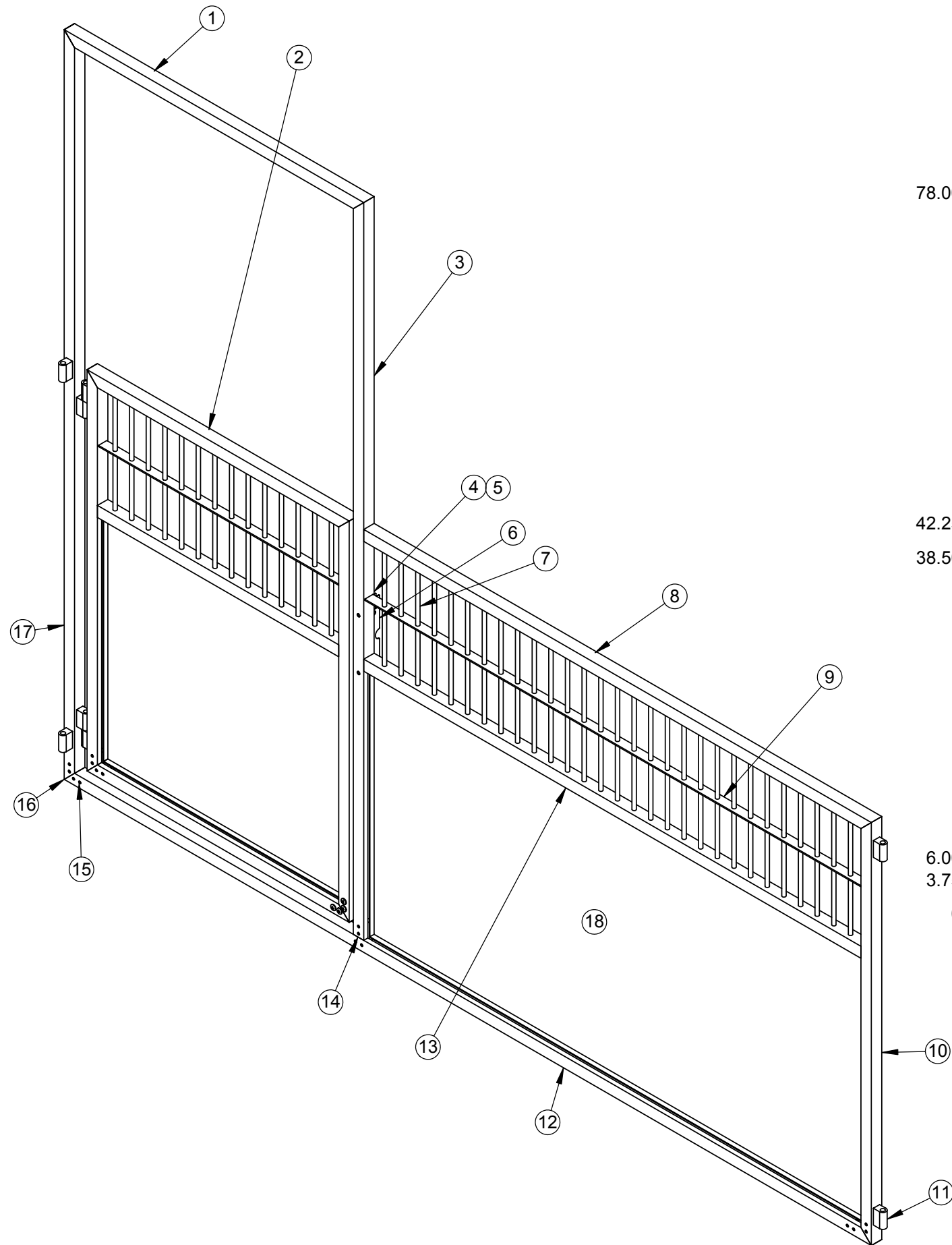
Divider Shown Folded For Storage


Swing to allow both sides  
access to exit door

1. Lower solid panels reduce dog distraction
2. Bars provide visibility for human supervision
3. Easy open gates for access to both sides of divider
4. 48" height as shown
5. Custom Configurations to fit your application

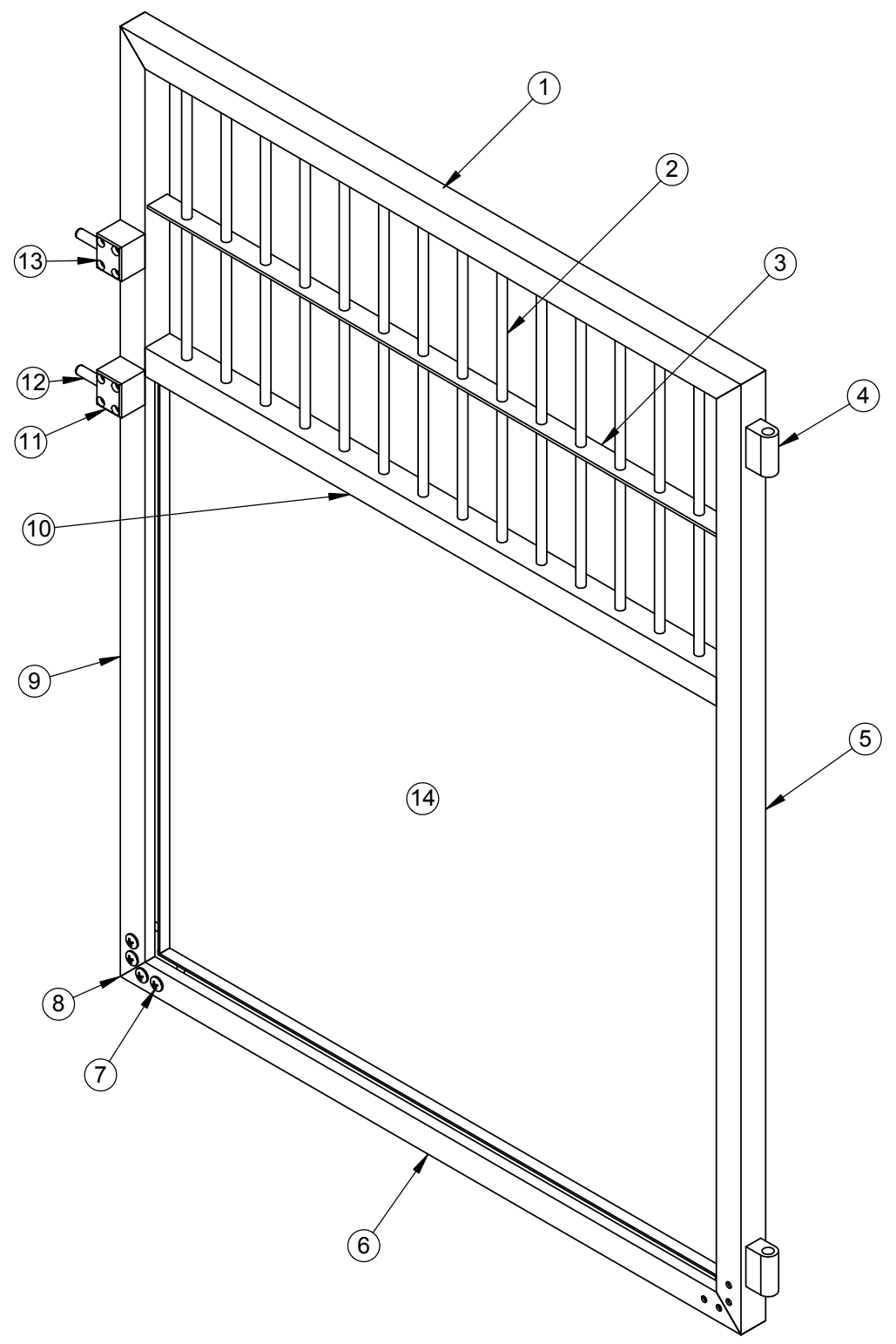
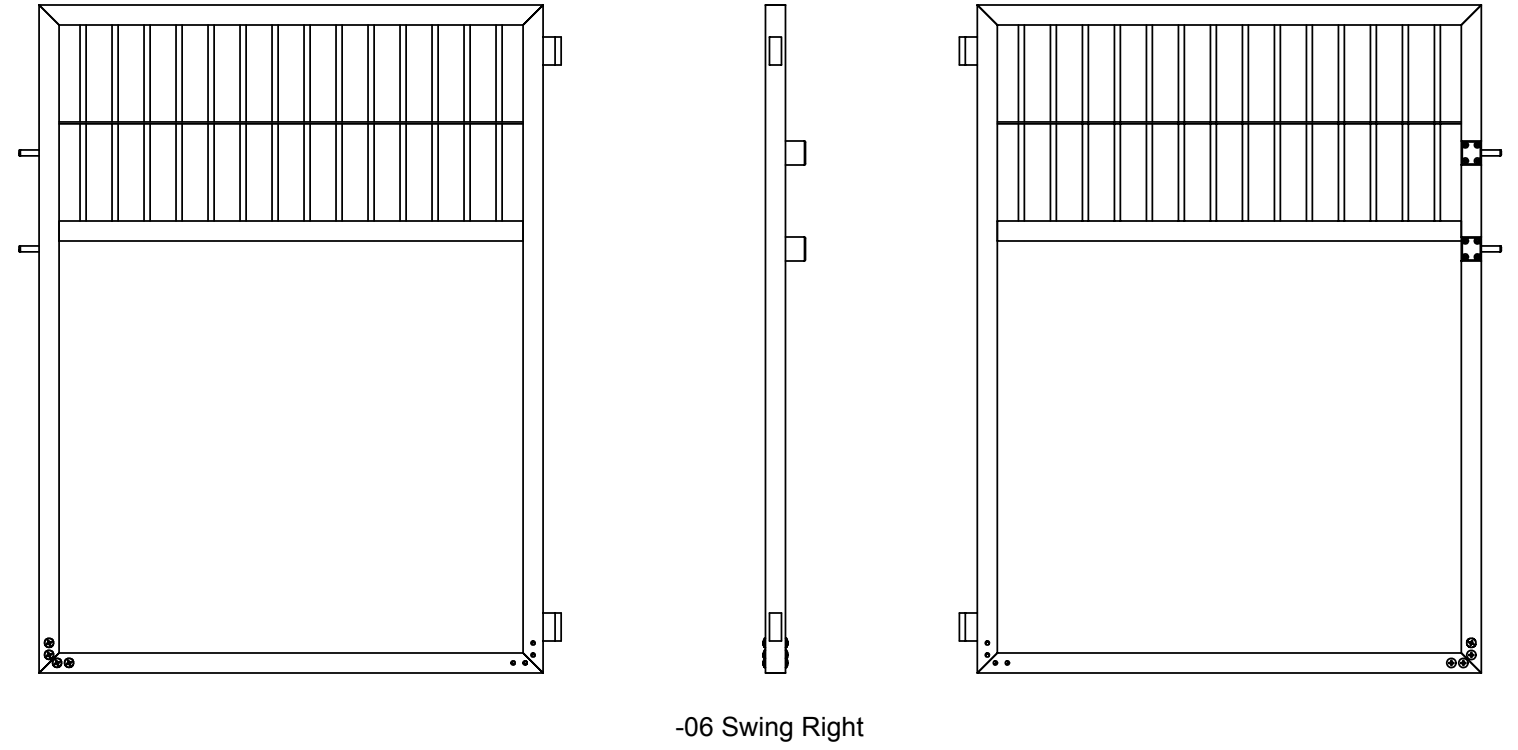
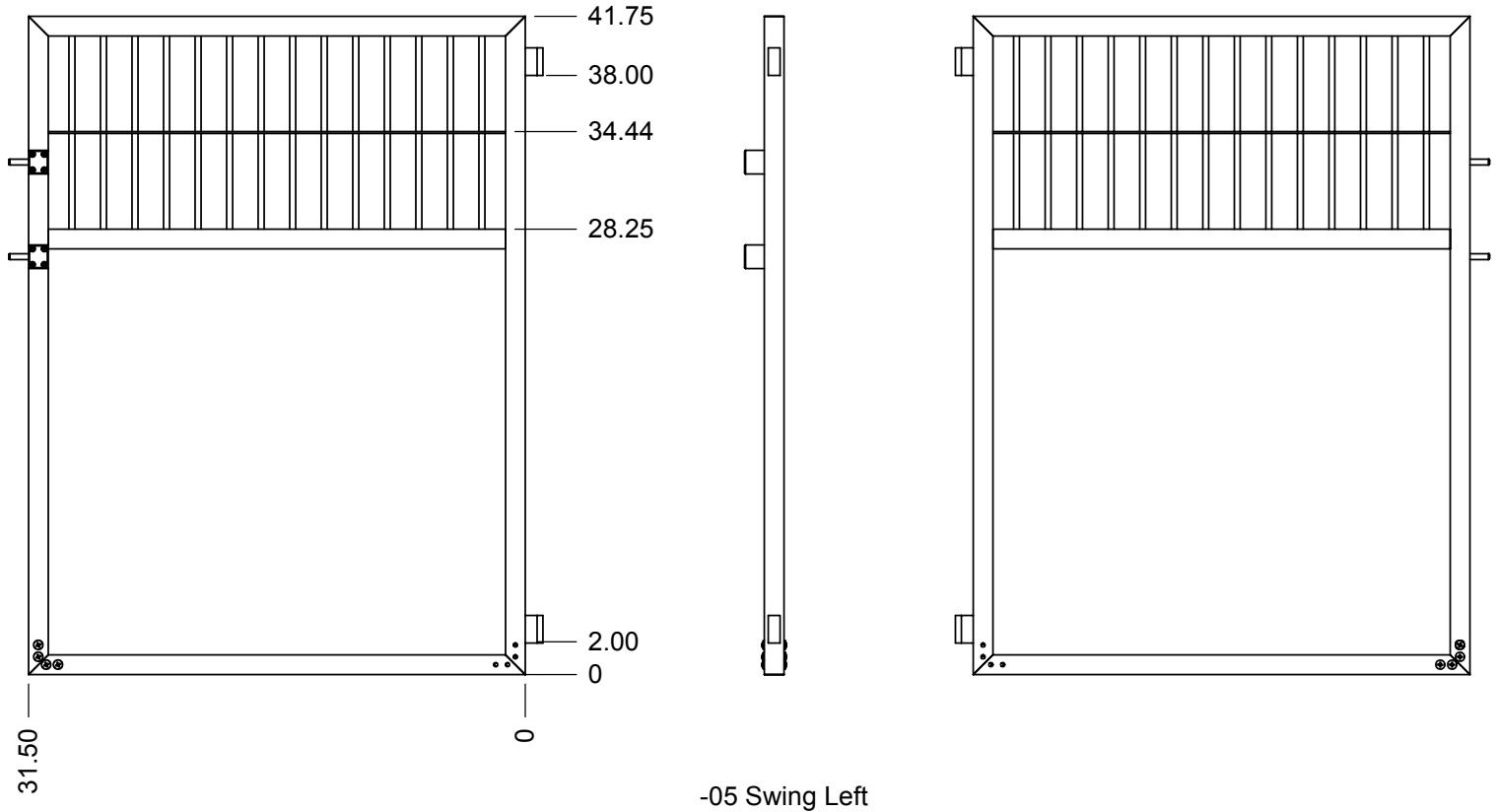
		<b>LARSON SYSTEMS INC.</b> 10073 Baltimore St. NE PH. 763-780-2131 Mpls., MN 55449 FAX. 763-780-2182	
		APPROVALS DRAWN DAL APP.	DATE 01/25/2009
SCALE: NONE		SHEET 1 OF 2	

REV	DATE	DESCRIPTION	DRW	APP




UNLESS OTHERWISE SPECIFIED DIMENSIONS ARE IN INCHES TOLERANCES ARE: .XX ± .01 .XXX ± .005	 <b>LARSON SYSTEMS INC.</b> 10073 Baltimore St. NE PH. 763-780-2131 Mpls., MN 55449 FAX. 763-780-2182		
			<b>Gate and Frame Assembly, Center Room</b>
MATERIAL -	APPROVALS DRAWN DAL	DATE 01/25/2009	B DWG. NO. 025-0000-0749-02
FINISH -	APP.		
HEAT TREAT	APP.		SCALE: NONE
			SHEET 1 OF 2

REV	DATE	DESCRIPTION	DRW	APP



Note:  
1. Weld bars on bottom face of item 1 and bottom face of item 3

UNLESS OTHERWISE SPECIFIED DIMENSIONS ARE IN INCHES TOLERANCES ARE: .XX ± .01 .XXX ± .005		 <b>LARSON SYSTEMS INC.</b> 10073 Baltimore St. NE PH. 763-780-2131 Mpls., MN 55449 FAX. 763-780-2182	
MATERIAL	-		
FINISH	-	DRAWN	DAL 01/25/2009
HEAT TREAT	-	APP.	
		B	DWG. NO. 025-0000-0749-05 -06
SCALE: NONE			SHEET 1 OF 2